

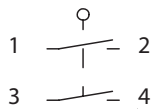
## Plastic bodied limit switch Series IN73

Description **IN73-S02 03**

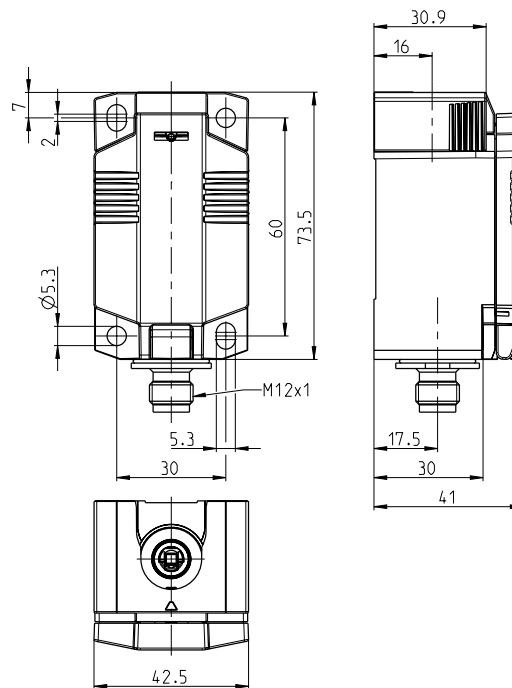
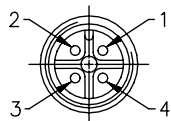
Article number **6081000129**

### Enclosure with built-in switches without actuating device

#### Operating symbol



#### Plug



#### Electrical Data

Rated insulation voltage	$U_i$	250 V
Rated impulse withstand voltage	$U_{imp}$	4 kV
Rated operational voltage	$U_e$	240 V AC / 24 V DC
Rated supply frequency AC		50 / 60 Hz
Overvoltage category		II acc. EN 60947-1 annex H table H1
Conv. thermal current	$I_{the}$	3 A
Minimum current		1 mA
Utilization category		AC 15, $U_e/I_e$ 240 V / 3 A; DC 13, $U_e/I_e$ 24 V / 1,5 A
Short-circuit protective device		Fuse 4 A gG
Rated conditional short-circuit current		400 A
Protection class		II, totally insulated

Mechanical data	
Enclosure	Thermoplastic, glass fibre reinforced (UL 94-V0)
Cover	Thermoplastic, glass fibre reinforced (UL 94-V0)
Actuating force	$F_{bmin}$ 14 N + Force of the actuating device
Operating temperature	-30 °C ... +75 °C
Storage temperature	-40 °C ... +80 °C
Protection type	IP66 / IP67 acc. EN 60529, Type 4X – Indoor Use only only with mounted actuating device
Pollution degree (built-in switch)	3
Contact material	silver
Device Class (built-in switch)	Category E (MC3+CC2+SC1) acc. EN 60947-1 annex Q
Contact type	2 N.O.
Operating rate	$V$ 0,06 m/min $\leq V \leq$ 30 m/min
Bounce duration	ms < 3 ms
Switchover time	ms < 8 ms
Switching frequency	$\leq$ 60 / min.
Mechanical life	depending on the operating device up to $15 \times 10^6$ operating cycles
Mission time	$\leq$ 20 years
Connection	Plug M12x1, 4-pole, A-coded
Weight	$\approx$ 0,11 kg
Installation position	operator definable

Standards
DIN EN 60947-5-1
UL 508 / CSA C22.2 No.14

EU Conformity
acc. to directive 2014/35/EU (Low-Voltage-Directive)

Approvals
CCC
cUL <sub>US</sub>

Notes
<p>The degree of protection specified (IP code) applies only to a properly closed cover and the use of an equivalent connector. The connector and the cable (fix or flexible mounted) must at least be suitable for the described ambient air temperatures. The connector must not be connected or disconnected when voltage is applied. The mechanical life of the connector is 100 connection cycles.</p> <p>The information on the switching travel can be found in the data sheets of the actuator, as these depend on the actuator used.</p> <p>Approvals / properties applies only to the fully assembled device.</p>