

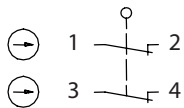
Plastic bodied limit switch Series IN73

Description **IN73-S20 03**

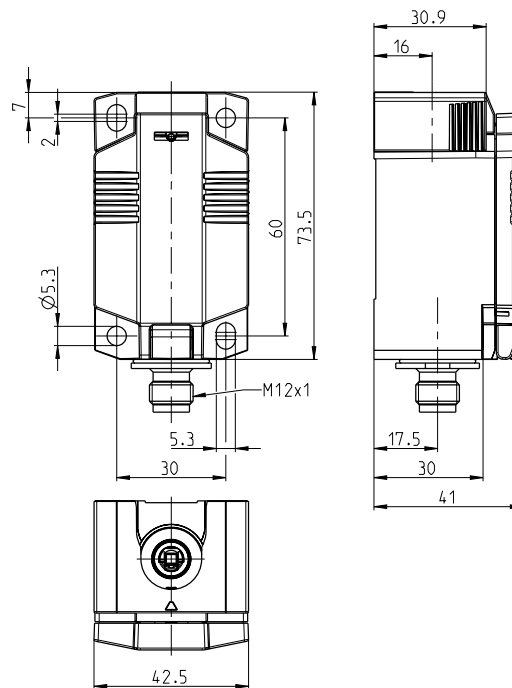
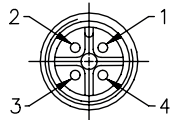
Article number **6081000127**

Enclosure with built-in switches without actuating device

Operating symbol



Plug



Electrical Data

Rated insulation voltage	U_i	250 V
Rated impulse withstand voltage	U_{imp}	4 kV
Rated operational voltage	U_e	240 V AC / 24 V DC
Rated supply frequency AC		50 / 60 Hz
Overvoltage category		II acc. EN 60947-1 annex H table H1
Conv. thermal current	I_{the}	3 A
Minimum current		1 mA
Utilization category		AC 15, U_e/I_e 240 V / 3 A; DC 13, U_e/I_e 24 V / 1,5 A
Direct opening action	\ominus	acc. IEC/EN 60947-5-1, annex K
Short-circuit protective device		Fuse 4 A gG
Rated conditional short-circuit current		400 A
Protection class		II, totally insulated

Mechanical data		
Enclosure		Thermoplastic, glass fibre reinforced (UL 94-V0)
Cover		Thermoplastic, glass fibre reinforced (UL 94-V0)
Actuating force	F_{bmin} F_{\ominus}	14 N + Force of the actuating device 28 N + Force of the actuating device
Operating temperature		-30 °C ... +75 °C
Storage temperature		-40 °C ... +80 °C
Protection type		IP66 / IP67 acc. EN 60529, Type 4X – Indoor Use only only with mounted actuating device
Pollution degree (built-in switch)		3
Contact material		silver
Device Class (built-in switch)		Category E (MC3+CC2+SC1) acc. EN 60947-1 annex Q
Contact type		2 N.C. (Form Zb)
Operating rate	V	$0,06 \text{ m/min} \leq V \leq 30 \text{ m/min}$
Bounce duration	ms	< 3 ms
Switchover time	ms	< 8 ms
Switching frequency		$\leq 60 / \text{min.}$
Mechanical life		depending on the operating device up to 15×10^6 operating cycles
Mission time		≤ 20 years
Connection		Plug M12x1, 4-pole, A-coded
Weight		$\approx 0,11 \text{ kg}$
Installation position		operator definable

ID for safety engineering	
B10d N.C.	20×10^6 cycles

Standards	
	DIN EN 60947-5-1
	UL 508 / CSA C22.2 No.14
	DIN EN ISO 13849-1
	DIN EN ISO 13849-2

EU Conformity	
	acc. to directive 2014/35/EU (Low-Voltage-Directive)

Approvals	
	CCC
	cUL _{US}

Notes

The degree of protection specified (IP code) applies only to a properly closed cover and the use of an equivalent connector.
The connector and the cable (fix or flexible mounted) must at least be suitable for the described ambient air temperatures.
The connector must not be connected or disconnected when voltage is applied.
The mechanical life of the connector is 100 connection cycles.

The information on the switching travel can be found in the data sheets of the actuator, as these depend on the actuator used.

Approvals / properties applies only to the fully assembled device.