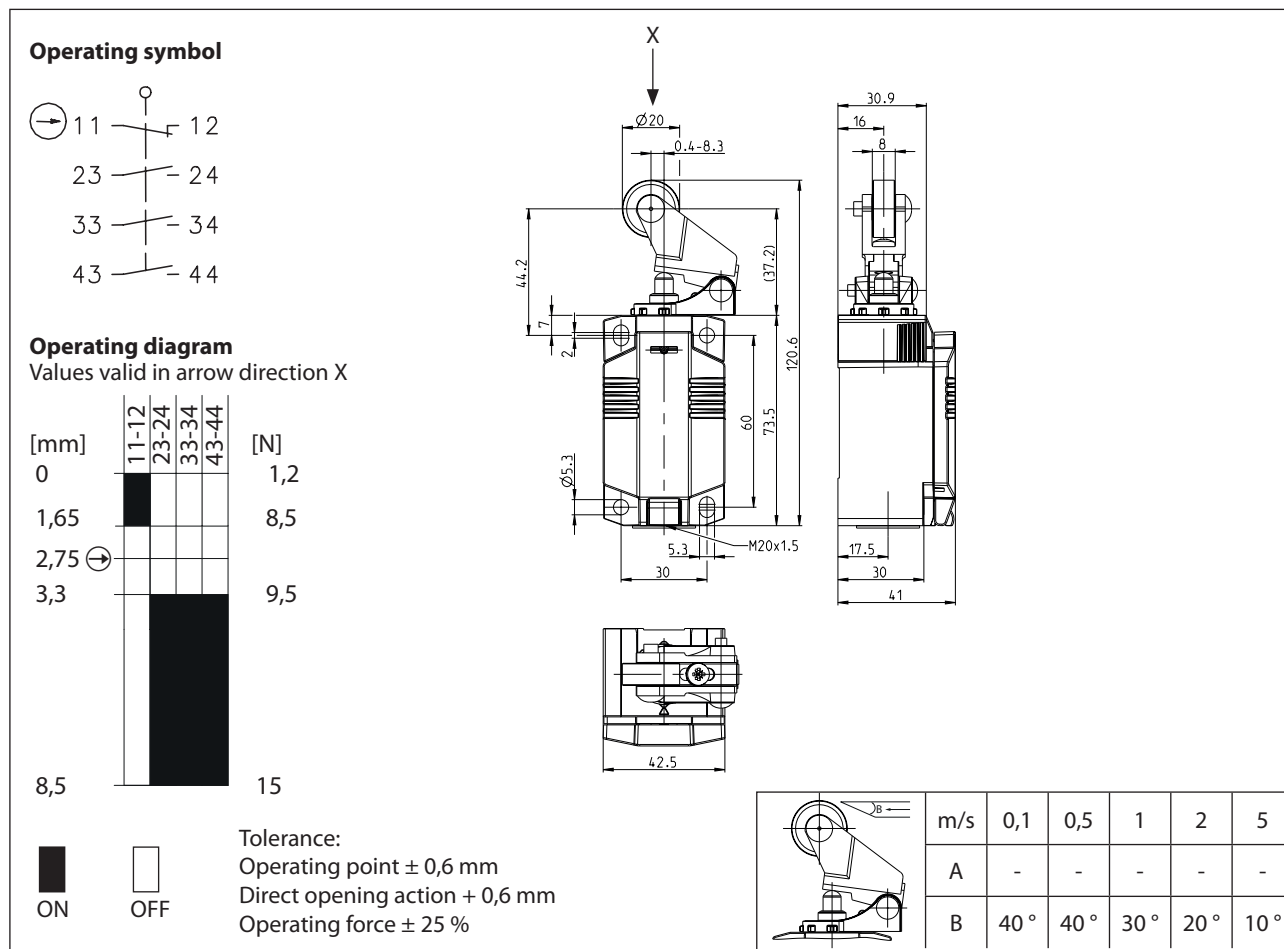


Plastic bodied limit switch Series IN73

Description **IN73-13 DGHK**

Article number **6081000048**



Electrical Data

| | | |
|-----------------------------------------|-----------|---------------------------------------------------------------|
| Rated insulation voltage | U_i | 250 V |
| Rated impulse withstand voltage | U_{imp} | 2,5 kV |
| Rated operational voltage | U_e | 240 V AC / 24 V DC |
| Rated supply frequency AC | | 50 / 60 Hz |
| Conv. thermal current | I_{the} | 5 A |
| Minimum current | | 1 mA |
| Utilization category | | AC 15, U_e/I_e 240 V / 1,5 A; DC 13, U_e/I_e 24 V / 1,5 A |
| Direct opening action | \ominus | acc. IEC/EN 60947-5-1, annex K; direct opening force: 21 N |
| Short-circuit protective device | | Fuse 4 A gG |
| Rated conditional short-circuit current | | 400 A |
| Protection class | | II, totally insulated |

| Mechanical data | |
|------------------------------------|-----------------------------------------------------------------------------------------|
| Enclosure | Thermoplastic, glass fibre reinforced (UL 94-V0) |
| Cover | Thermoplastic, glass fibre reinforced (UL 94-V0) |
| Actuator | Lever (Zn-die cast), roller (thermoplastic) |
| Operating temperature | -30 °C ... +75 °C |
| Storage temperature | -40 °C ... +80 °C |
| Protection type | IP66 / IP67 acc. EN 60529, Type 4X – Indoor Use only |
| Pollution degree (built-in switch) | 3 |
| Contact material | silver |
| Contact type | 1 N.C. (Form Zb), 3 N.O. |
| Switching frequency | ≤ 60 / min. |
| Mechanical life | 10 x 10 ⁶ operating cycles |
| Mission time | ≤20 years |
| Connection | 8 screw connections (M3,5) |
| Conductor cross-sections | Solid or Litz wire with ferrules 0,34 mm ² - 1,5 mm ² ; AWG 22-16 |
| Cable entrance | 1 x M20 x1,5 |
| Weight | ≈ 0,19 kg |
| Installation position | operator definable |

| Actuation |
|--------------------------------------------------------------------------------------------------------------------------------------------------------------------------------------------------------------------------------------------------------------------------------|
| The actuating device is preferably started from 1 side. By lifting the clamp the actuation assembly can be rotated in 45° increments such that 8 actuation directions are possible. The actuation assembly is to be again fastened to the housing by lowering the clamp. |

| ID for safety engineering | |
|----------------------------------|-----------------------------|
| B10d N.C. | 20 x 10 ⁶ cycles |
| B10d N.O. | 1 x 10 ⁶ cycles |

| Standards | |
|------------------|--------------------------|
| | DIN EN 60947-5-1 |
| | UL 508 / CSA C22.2 No.14 |
| | DIN EN ISO 13849-1 |
| | DIN EN ISO 13849-2 |

| EU Conformity |
|------------------------------------------------------|
| acc. to directive 2014/35/EU (Low-Voltage-Directive) |

| Approvals |
|-------------------|
| CCC |
| cUL _{US} |

| Notes |
|------------------------------------------------------------------------------------------------------------------------------------------------------|
| The degree of protection (IP code) specified applies solely to a property closed cover and the use of an equivalent cable gland with adequate cable. |