

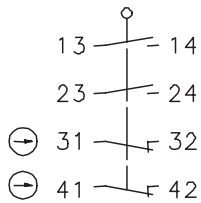
Plastic bodied limit switch

Series IN73

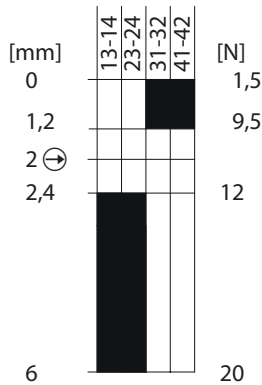
Description **IN73-22 SM**

Article number **608100008**

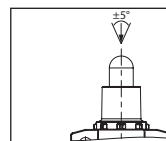
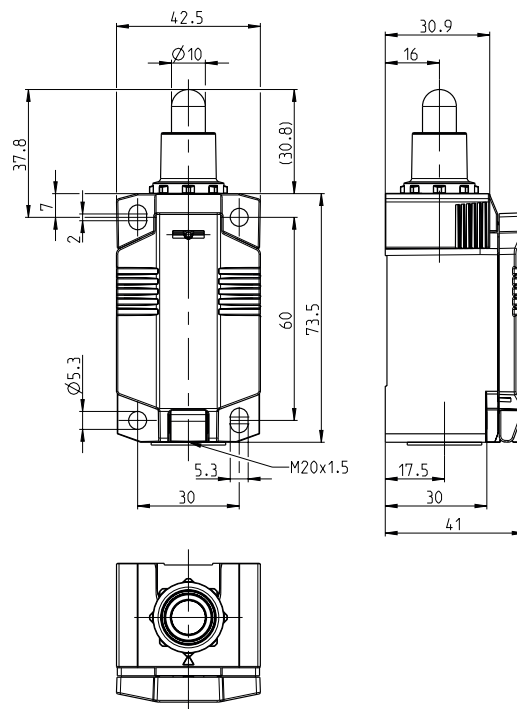
Operating symbol



Operating diagram



Tolerance:
 Operating point $\pm 0,6$ mm
 Direct opening action $+ 0,6$ mm
 Operating force ± 20 %



m/s

0,001 ... 0,5

Electrical Data

Rated insulation voltage	U_i	250 V
Rated impulse withstand voltage	U_{imp}	2,5 kV
Rated operational voltage	U_e	240 V AC / 24 V DC
Rated supply frequency AC		50 / 60 Hz
Conv. thermal current	I_{the}	5 A
Minimum current		1 mA
Utilization category		AC 15, U_e/I_e 240 V / 1,5 A; DC 13, U_e/I_e 24 V / 1,5 A
Direct opening action	\ominus	acc. IEC/EN 60947-5-1, annex K; direct opening force: 36 N
Short-circuit protective device		Fuse 4 A gG
Rated conditional short-circuit current		400 A
Protection class		II, totally insulated

