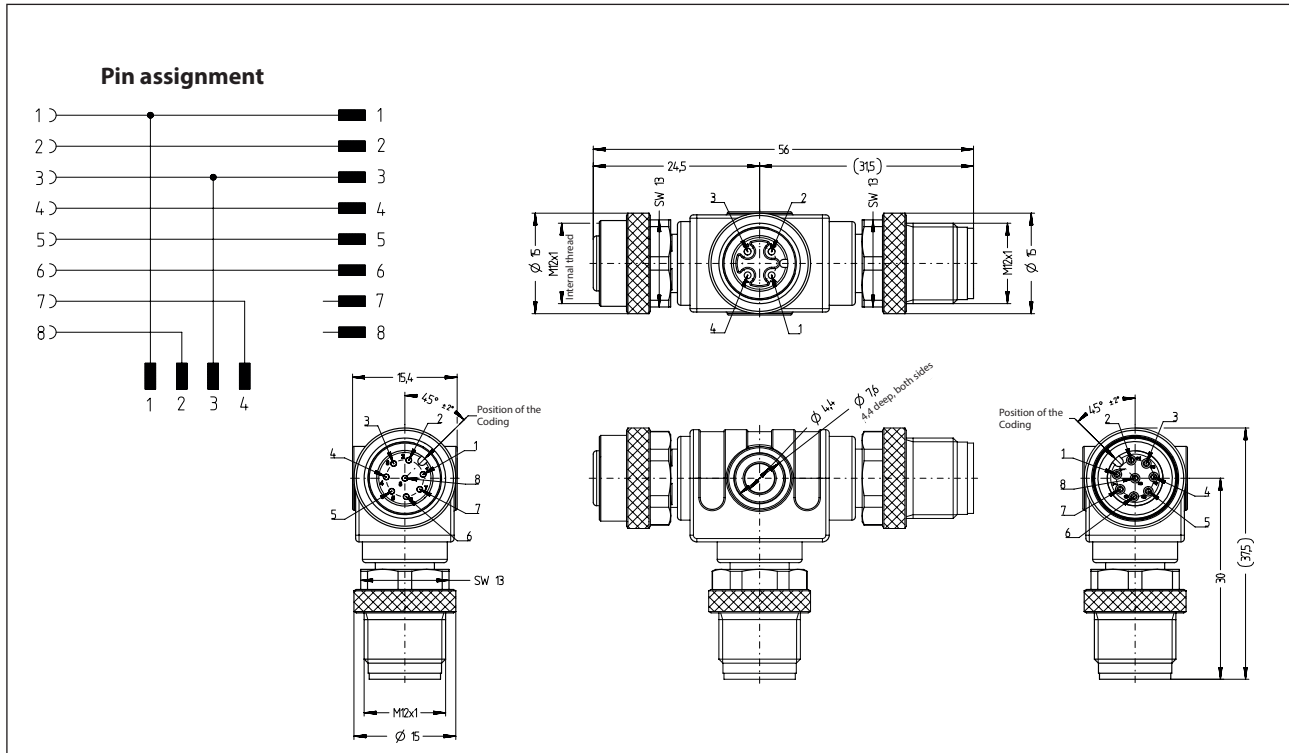


Accessories

T-adaptor

Description **ATD-M12/8-M12/4**

Article number **6075989083**



Electrical Data

Operating voltage	max. 30 V
Current rating	2 A at 40 °C
Insulation resistancw	$\geq 100 \text{ M}\Omega$

Mechanical Data

Connection	2 x M12 x 1, 8-pole (A-Coded) 1 x M12 x 1, 4-pole (A-Coded)
Overmolding	TPU
Ambient temperature	-30 °C ... +90 °C
Degree of pollution	3
Type of protection	IP68 (only in fully snapped-in position with it's plugs)