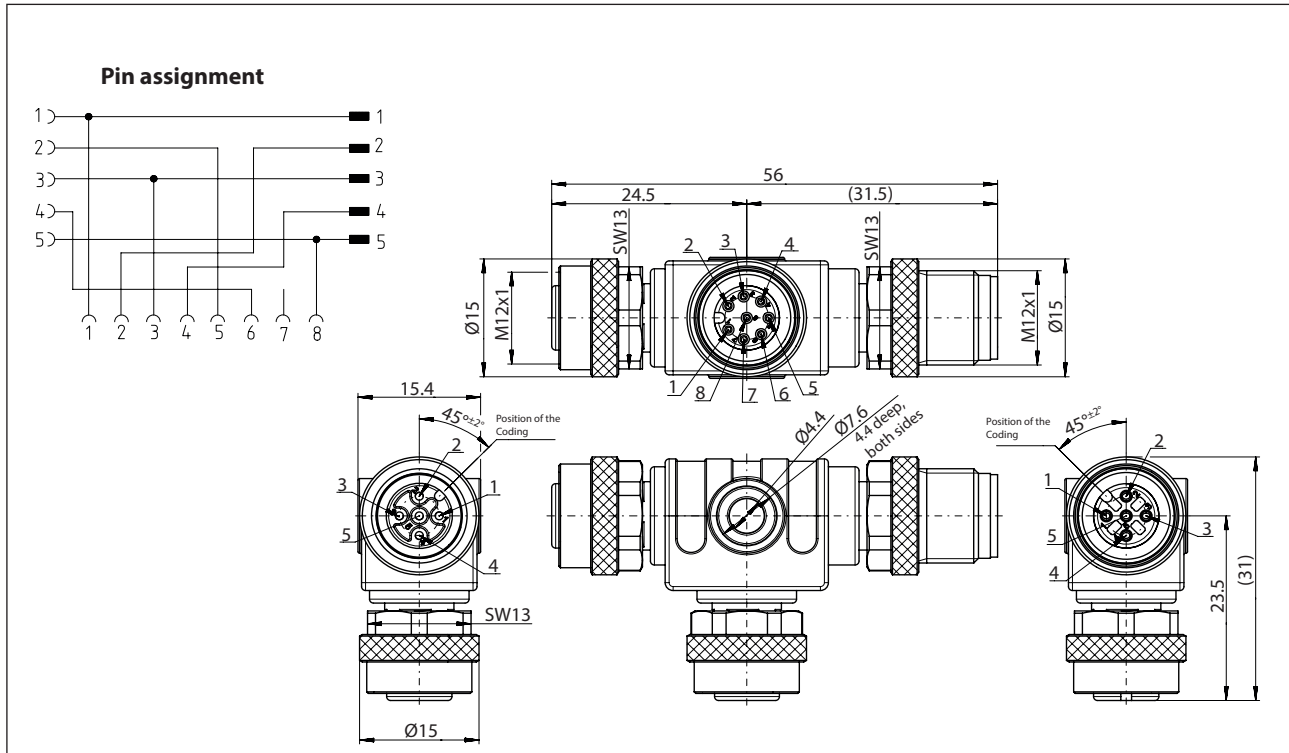


Accessories

T-adaptor

Description **ATS-M12/5-M12/8**

Article number **6075989001**



Electrical Data

Operating voltage	max. 30 V
Current rating	2 A at 40 °C
Insulation resistancecw	≥100 MΩ

Mechanical Data

Connection	2 x M12 x 1, 5-pole (A-Coded) 1 x M12 x 1, 8-pole (A-Coded)
Overmolding	TPU
Ambient temperature	-30 °C ... +90 °C
Degree of pollution	3
Type of protection	IP65, IP67, IP68 (only in fully snapped-in position with it's plugs)