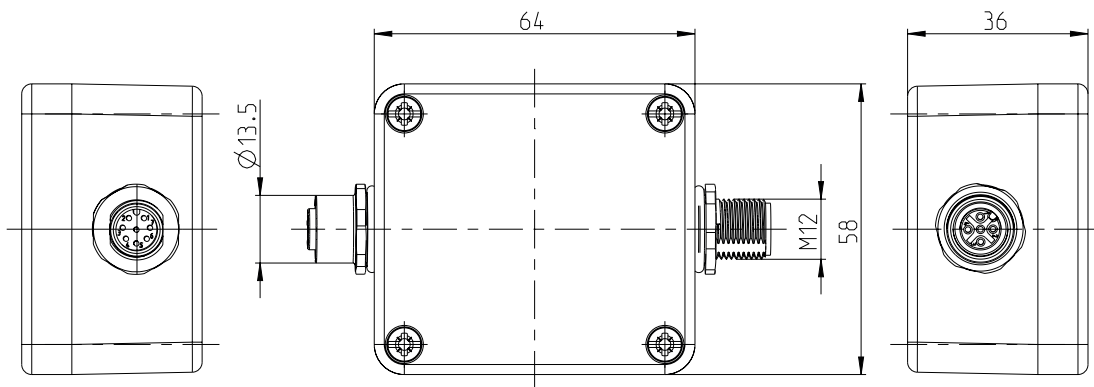


Electronics box for safe mechanical switching contacts
 Series SEU

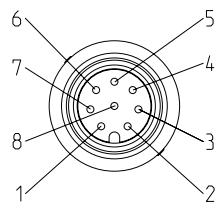
Description **SEU-1/0-M64-C**

Article number **6075689137**



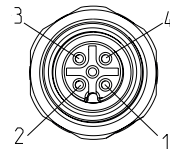
Connection (plug)

- Pin 1 – +
- Pin 2 – Q1
- Pin 3 – -
- Pin 4 – Q2
- Pin 5 – I1
- Pin 6 – I2



Connection (bush)

- Pin 1 – NC 1.1
- Pin 2 – NC 1.2
- Pin 3 – NC 2.1
- Pin 4 – NC 2.2




Electrical Data		
Rated operating voltage	U_e	24 V, Reverse polarity protection, +25 %, - 20 % (PELV / SELV power supply unit)
Rated insulation voltage	U_i	75 V DC
Rated impulse withstand voltage	U_{imp}	500 V
Rated conditional short circuit current		100 A
No-load current	I_o	≤ 50 mA
Switch-off	t_a	max. 40 ms
Time delay	t_v	max. 2 s
Electromagnetic interference		according to EN 61326-1 TAB.2 and EN 61326-3-1
Outputs Q1,Q2		
Voltage level		according to Typ 3 EN 61131-2
Switching element function		pnp NO
Rated operating current	I_e	100 mA
Leakage current	I_r	≤ 1 mA DC
Switching elements		Sustained short-circuit and overload protection
Voltage drop	U_d	≤ 3 V
Type of short circuit protection		thermal / digital (clocking)
Utilization category		DC-13
Inputs NC1.1, NC 1.2, NC 2.1, NC 2.2		
Connection		2 x NC, emergency stopping

Mechanical Data	
Enclosure	Die-cast aluminium (EN AC-ALSi12Cu1 (Fe))
Gasket	PUR
Mounting	2 holes Ø 4,4 (for M4 screws)
Indication	1x LED red / green operating state and actuation state LED visible after opening the cover.
Shock and Swing	acc. to EN IEC 60947-5-2
Ambient temperature	-25°C ... +70°C
Storage temperature	-25°C ... +70°C
Maximum relative humidity	93 % @ 40 °C without condensation
Altitude	≤ 2000 m NHN
Connection	Plug connector M12 male, 8-pole and M12 female, 4-pole
Type of protection	IP67 (DIN EN 60529)
Protection class acc. to EN IEC 61558	III

Safety data		
Up to PL	e	acc. to EN ISO 13849-1
Category	4	
PFH _D	6,5 x 10 ⁻⁹ 1/h	acc. to DIN EN 62061
SIL CL	3	
Service life	20 years	
For the evaluation of the safety function in which a SEU-1 is used, the safety specifications of the SEU-1 and the connected safety switch / emergency stop switch, the safety features of the subsystem must be calculated.		

Standards	
	EN 61326-1, EN 61326-3-1
	EN ISO 13849-1, EN 62061

EU-Conformity	
	according to directive 2006/42/EG (Safety-of-Machinery-Directive)
	according to directive 2011/65/EU (RoHS II)
	according to directive 2014/30/EU (EMV-Richtlinie)
	according to directive 2012/19/EU (EU-WEEE II) 

Approvals	
	TÜV Nord

Notes	
The specified protection classification (IP code) applies only when an appropriate plug connector is used.	