

## Safety switch

### Series SRF

Type designation **SRF-4/1/1-E0,25-U+SRF-0-R18**

Article number **6075688211**

#### Set consists of

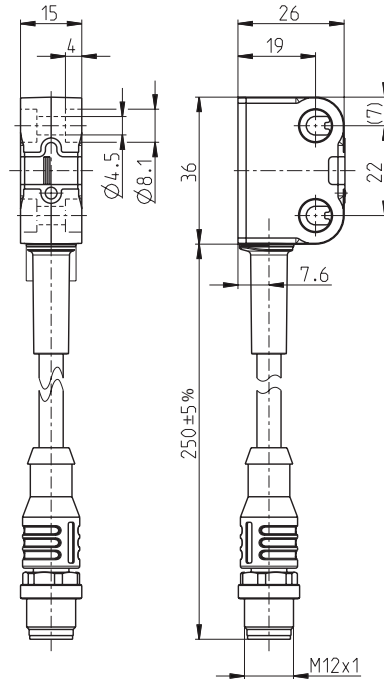
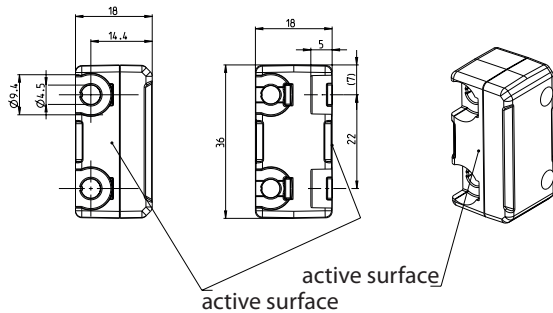
Article number	Type designation	Designation
<b>6075685210</b>	<b>SRF-4/1/1-E0,25-U</b>	<b>SRF, cable version with plug connector</b>
<b>6075687144</b>	<b>SRF-0-R18</b>	<b>Actuator</b>

#### Note

SRF and actuator are already teached to each other!

**6075687144**

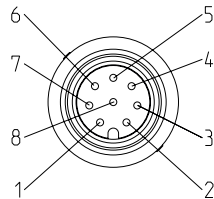
**6075685210**



Sensing distance				
		min.	typ.	max.
Rated sensing distance	$S_n$		13 mm	
Assured sensing distance – On	$S_{ao}$	10 mm		
Hysteresis	H		2 mm	
Assured sensing distance – Off	$S_{ar}$			25 mm

### Connection

Pin 1 – +  
 Pin 2 – Q1  
 Pin 3 – -  
 Pin 4 – Q2  
 Pin 5 – I1  
 Pin 6 – I2  
 Pin 7 – PNP/OUT




Electrical Data			607568210	6075687144
Rated operating voltage	$U_e$	24 V DC, Reverse polarity protection, +25 %, - 20 % (PELV/SELV power supply unit)		-
Rated insulation voltage	$U_i$	75 V DC		-
Rated impulse withstand voltage	$U_{imp}$	500 V		-
Rated conditional short circuit current		100 A		-
No-load current	$I_0$	≤ 50 mA		-
Transponder frequency		125 kHz		125 kHz
Repeatability operating frequency	R	0,1 x $S_n$		0,1 x $S_n$
Switch-off	$t_s$	max. 100 ms + 7 ms x following SRF		-
Time delay	$t_v$	max. 2 s		-
Protection class acc. to EN IEC 61558		III		-
Electromagnetic interference		according to EN IEC 60947-5-3 and EN 61326-3-1		-
Emergency operation function		activated		-
<b>Outputs Q1,Q2</b>				
Voltage level		according to Typ 3 EN 61131-2		-
Switching element function		PNP NO (OSSD)		-
Rated operating current	$I_e$	100 mA		-
Leakage current	$I_r$	≤ 1 mA DC		-
Switching elements		Sustained short-circuit and overload protection		-
Voltage drop	$U_d$	≤ 3 V		-
Type of short circuit protection		thermal / digital (clocking)		-
Utilization category		DC-13		-
<b>Output PNP/OUT</b>				
Function		PNP, On with closed safety guard		-
Rated operating current	$I_e$	10 mA		-
Switching elements		Sustained short-circuit and overload protection		-
Voltage drop	$U_d$	≤ 3 V		-
Utilization category		current limited		-

Mechanical Data		
	6075685210	6075687144
Enclosure	PA66 + PA6, red	PA66 + PA6, red
Tension relief	TPE, black	-
Mounting	2 holes Ø 4,5 (for M4 screws)	2 holes Ø 4,5 (for M4 screws)
Indication	1 x LED red / green operating state 1 x LED yellow Actuating state	-
Shock and Swing	acc. to EN IEC 60947-5-2	acc. to EN IEC 60947-5-2
Ambient temperature	-25°C ... +70°C	-25°C ... +70°C
Storage temperature	-25°C ... +70°C	-25°C ... +70°C
Maximum relative humidity	93 % @ 40 °C without condensation	93 % @ 40 °C without condensation
Altitude	≤ 4000 m NHN	≤ 4000 m NHN
Connection	0,25 m cable with plug connector M12 male, 8-pole	-
Type of protection	IP69	IP69

Safety data		
Up to PL	e	
Category	4	acc. to EN ISO 13849-1
PFH <sub>D</sub>	6x10 <sup>-9</sup> 1/h	
SIL CL	3	acc. to DIN EN 62061
Service life	20 years	

Standards	
	EN 60947-1, EN 60947-5-2, EN 61326-3-1
	EN ISO 13849-1, EN 62061, EN 60947-5-3, EN ISO 13849-2
	EN 60204-1, ETSI EN 301489-1, ETSI EN 300330-1

EU-Conformity	
	according to directive 2006/42/EG (Safety-of-Machinery-Directive)
	according to directive 2011/65/EU (RoHS II)
	according to directive 2014/53/EU (RED)
	according to directive 2012/19/EU (EU-WEEE II) 

Approvals	
	TÜV Nord, cCSAus (class 2 Power source)
	FCC ID: 2ABA6SRF
	IC: 11535A-SRF

Notes	
The specified protection classification (IP code) applies only when an appropriate plug connector is used.	