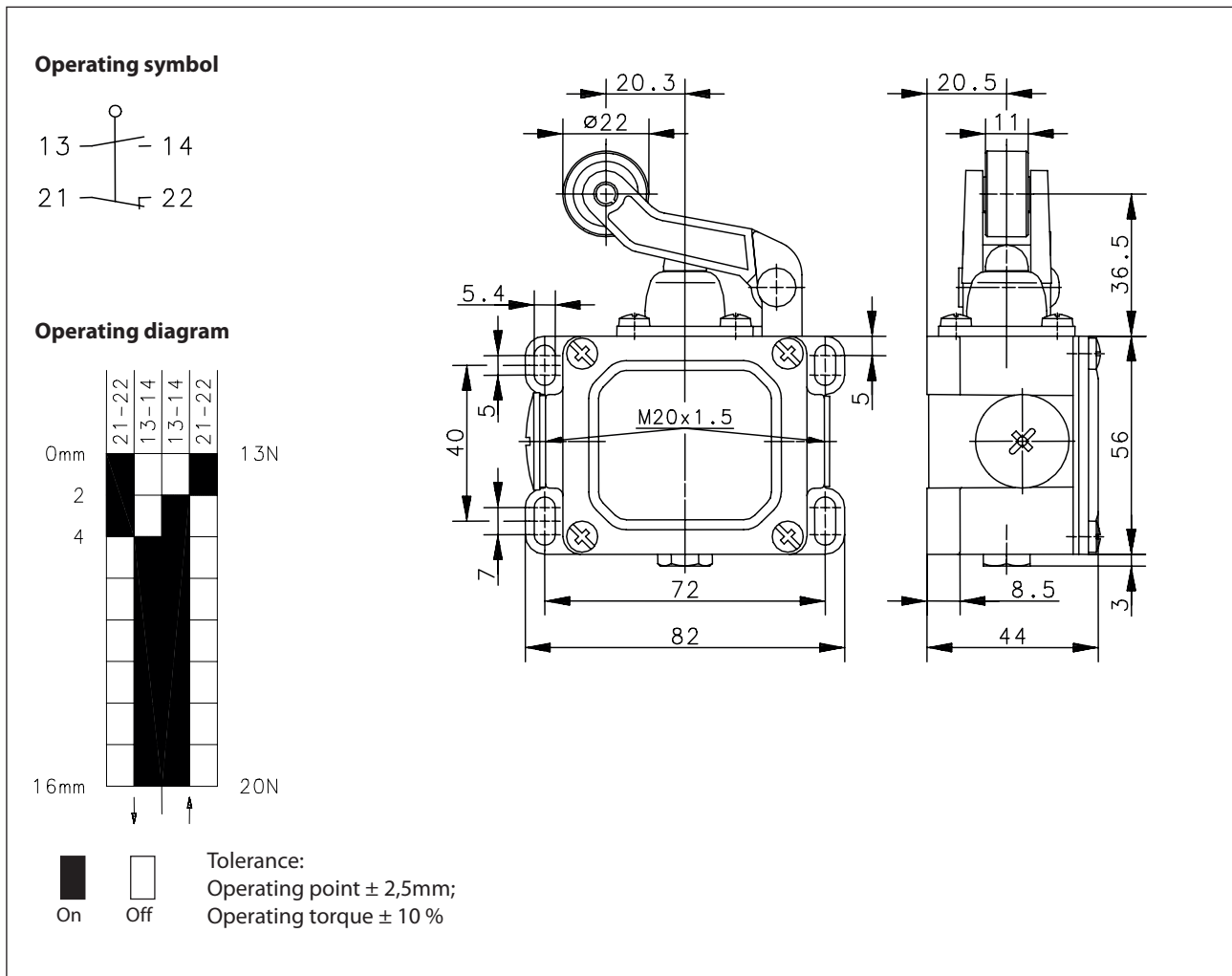


# Metal bodied limit switch

## Series D

Description **D-SU1 HW**

Article number **6041171164**



Electrical Data		
Rated insulation voltage	$U_i$	400 V <sub>AC</sub>
Conv. thermal current	$I_{the}$	10 A
Rated operational voltage	$U_e$	240 V
Utilization category		AC-15, $U_e/I_e$ 240 V / 3 A
Short-circuit protective device		Fuse 10 A gG
Protection class		I

Mechanical data	
Enclosure	Die-cast aluminium
Cover	Sheet aluminium
Actuator	Lever (die-cast aluminium), roller (thermoplastic)
Ambient air temperature	-30 °C ... +80 °C
Contact type	1 NC, 1 NO (Za)
Mechanical life	10 x 10 <sup>6</sup> switching cycles
Switching frequency	≤ 100 / min.
Assembly	4 x M5
Connection	4 screw connections (M4)
Protection ground	1x M4
Conductor cross-sections	0,5 – 1,5 mm <sup>2</sup> (solid or stranded wire with ferrules)
Cable entrance	2 x M20 x 1,5
Weight	≈ 0,33 kg
Installation position	operator definable
Protection type	IP65 acc. to IEC/EN 60529

**Actuation**

By loosening the 4 screws the actuation assembly can be rotated in 90 degree increments such that 4 actuation directions are possible. The actuation assembly is to be again fastened to the housing using the 4 screws.

ID for safety engineering	
B10d	20 x 10 <sup>6</sup>

Standards	
	DIN EN 60947-5-1

EU Conformity	
	acc. to directive 2014/35/EU (Low-Voltage-Directive)

Approvals	
	cCSA <sub>US</sub> A300 (same polarity)

**Notes**

The degree of protection (IP code) specified applies solely to a property closed cover and the use of an equivalent cable gland with adequate cable.