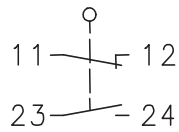


Metal bodied limit switch Series D

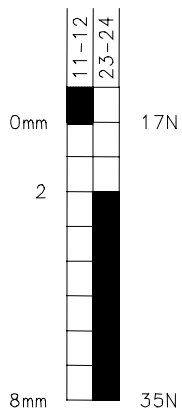
Description **D-U1 W**

Article number **6041103002**

Operating symbol

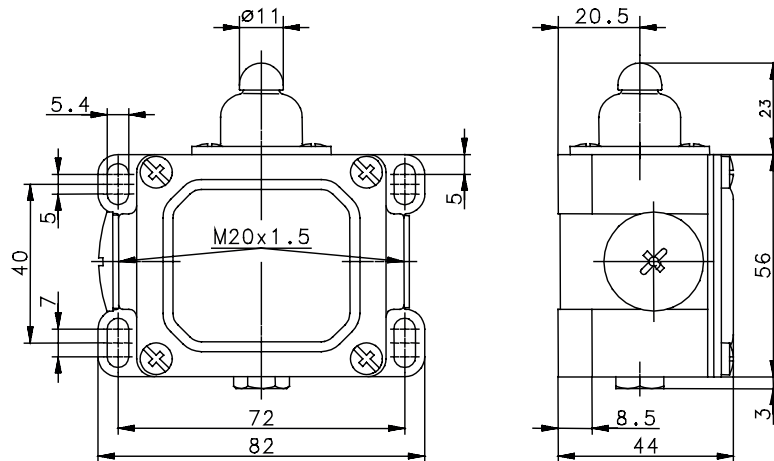


Operating diagram



On
 Off

Tolerance:
 Operating Point $\pm 0,25$ mm;
 Operating force ± 10 %



Electrical Data

Rated insulation voltage	U_i	400 V AC
Conv. thermal current	I_{the}	10 A
Rated operational voltage	U_e	240 V
Utilization category		AC-15, U_e/I_e 240 V / 6 A
Short-circuit protective device		Fuse 10 A gG
Protection class		I

Mechanical data	
Enclosure	Die-cast aluminium
Cover	Sheet aluminium
Actuator	Push bolt (st)
Ambient air temperature	-30 °C ... +80 °C
Contact type	1 NC, 1 NO
Mechanical life	10 x 10 ⁶ switching cycles
Switching frequency	≤ 100 / min.
Assembly	4 x M5
Connection	4 screw connections (M4)
Conductor cross-sections	Solid: 0,5 ... 1,5 mm ² or Litz wire with ferrules: 0,5 ... 1,5 mm ²
Cable entrance	2 x M20 x 1,5
Weight	≈ 0,27 kg
Installation position	operator definable
Protection type	IP65 acc. to IEC/EN 60529

Actuation
The push bolt actuator is mainly intended to be actuated along it's axis. Side actuation will considerably reduce switch life.

Standards
DIN EN 60947-5-1

EU Conformity
acc. to directive 2014/35/EU (Low-Voltage-Directive)

Approvals
cCSA _{US} A300 (same polarity)

Notes
The degree of protection (IP code) specified applies solely to a property closed cover and the use of an equivalent cable gland with adequate cable.