

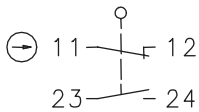
# Metal bodied limit switch

## Series GC

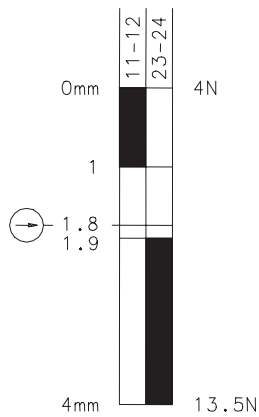
Description **GC-U1Z RIW**

Article number **6021117029**

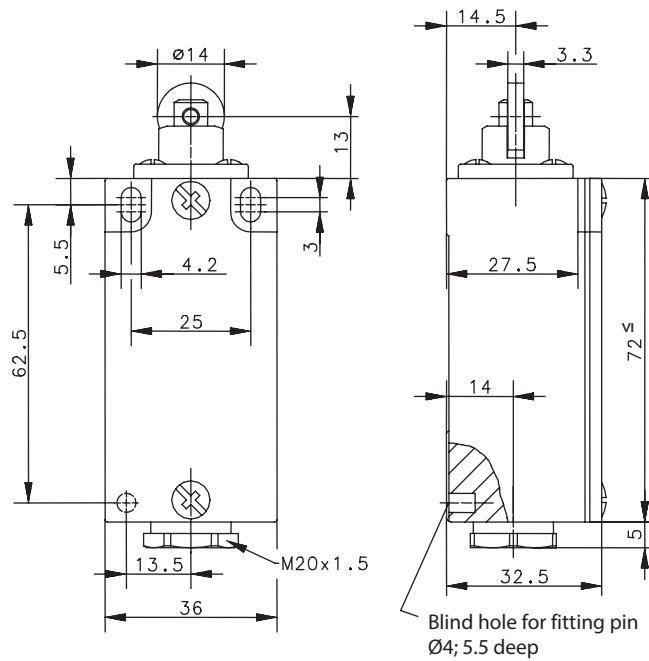
### Operating symbol



### Operating diagram



On    Off    Tolerance:  
 Operating point  $\pm 0,25$  mm;  
 Actuating force  $\pm 10$  %



### Electrical Data

Rated insulation voltage	$U_i$	400 V AC
Conv. thermal current	$I_{the}$	10 A
Rated operational voltage	$U_e$	240 V
Utilization category		AC-15, $U_e/I_e$ 240 V / 3 A
Positive opening operation		acc. to IEC/EN 60947-5-1, Annex K
Short-circuit protective device		Fuse 10 A gG
Protection class		I

<b>Mechanical data</b>	
Enclosure	Die-cast aluminium
Cover	Sheet aluminium
Actuator	Roller (steel)
Ambient air temperature	-30° C ... +80° C
Contact type	1 NC, 1 NO (Zb)
Mechanical life	10 x 10 <sup>6</sup> operating cycles
Switching frequency	≤ 100 / min.
Assembly	2 x M4
Connection	4 screw connections (M3,5)
Conductor cross-sections	Solid: 0,5 ... 1,5 mm <sup>2</sup> or Litz wire with ferrules: 0,5 ... 1,5 mm <sup>2</sup>
Cable entrance	1 x cable gland M20x1,5 (clamp-range 5,5 – 6,1mm)
Weight	≈ 0,15 kg
Installation position	operator definable
Protection type	IP65 acc. to IEC/EN 60529

<b>Actuation</b>
By loosening the 4 screws the actuation assembly can be rotated in 90 degree increments such that 4 actuation directions are possible. The actuation assembly is to be again fastened to the housing using the 4 screws.

<b>ID for safety engineering</b>	
B10d	20 x 10 <sup>6</sup> cycles

<b>Standards</b>	
	VDE 0660 T100, DIN EN 60947-1, IEC 60947-1
	VDE 0660 T200, DIN EN 60947-5-1, IEC 60947-5-1
	DIN EN ISO 13849-1

<b>EU Conformity</b>	
	acc. to directive 2014/35/EU (Low-Voltage-Directive)

<b>Approvals</b>	
	c <sub>CSA</sub> US A300 (same polarity)
	UL
	CCC

<b>Notes</b>	
The specified protection classification (IP code) applies only when the cover is closed and the appropriate cable is used, in accordance with the clamping range of the above mentioned cable gland.	