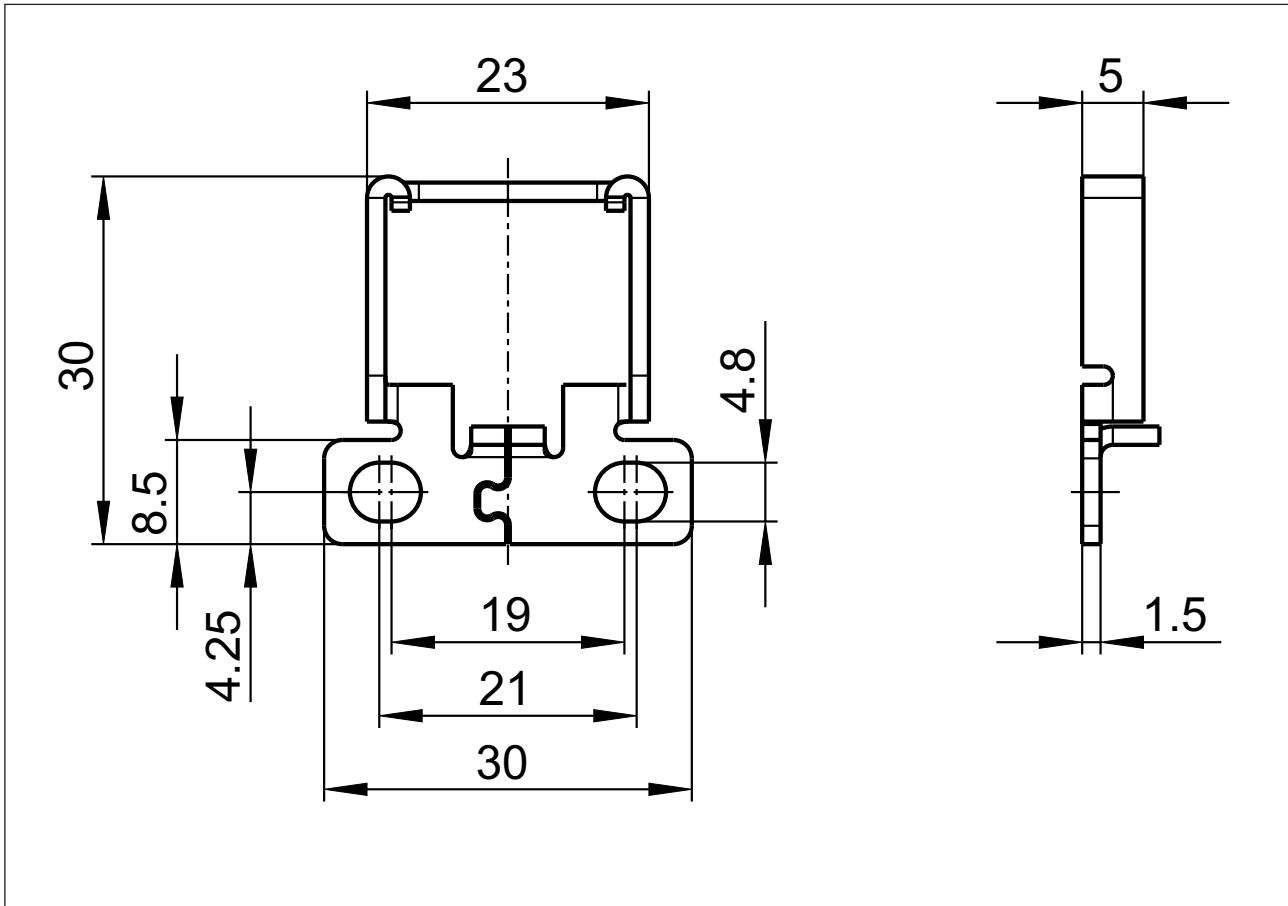


Actuator
Series SK

Description **BETÄTIGER M2**

Article number **6016999191**



Mechanical data

Actuator	Stainless steel
Minimum actuating radius	$R_{Amin}=400\text{ mm}$, $R_{Bmin}=1000\text{ mm}$
Extraction forces	up to 50 N