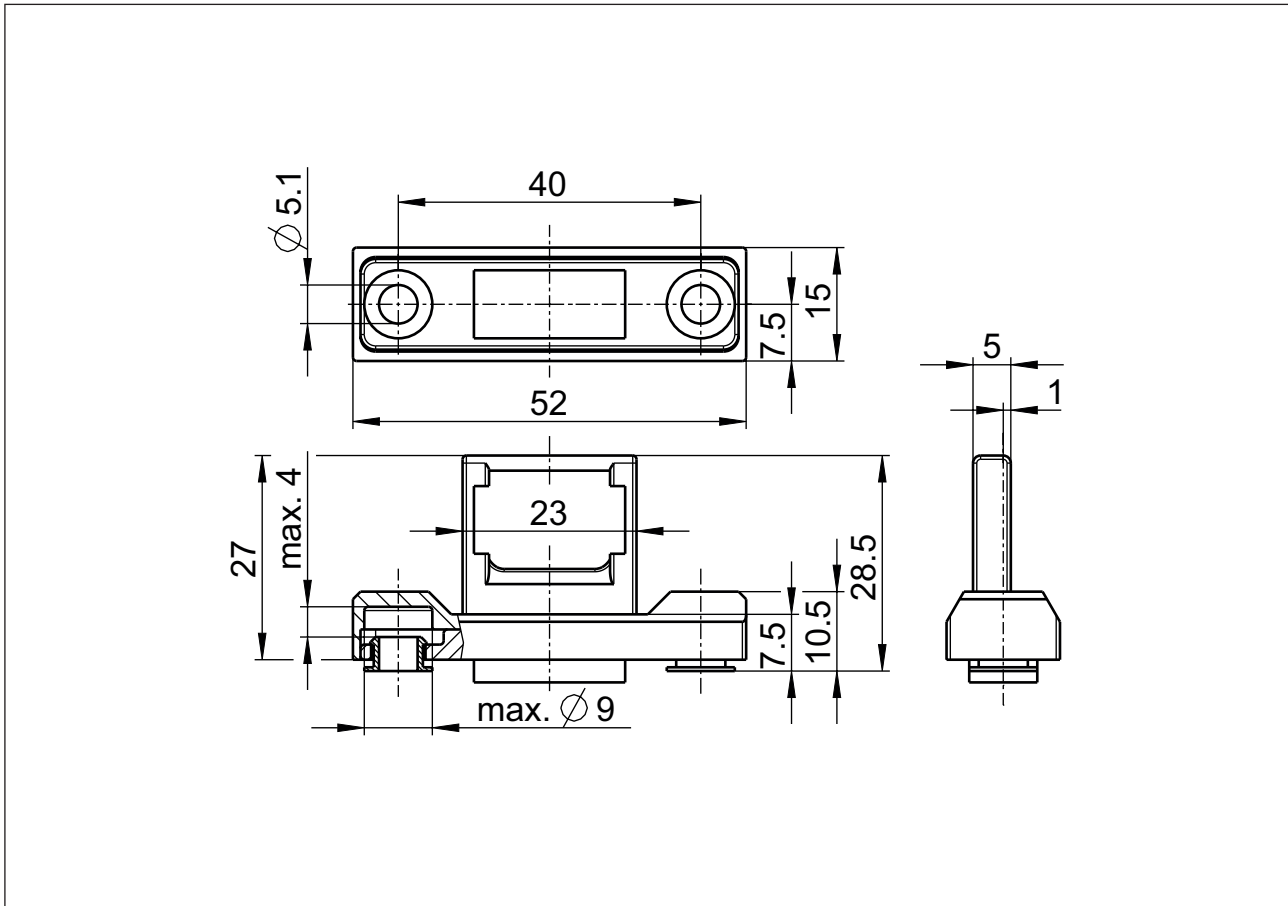


**Actuator**  
Series SK

Description **BETÄTIGER M1**

Article number **6016999190**



**Mechanical Data**

Actuator / Socket	Stainless steel
Actuator cap	Polyamide PA66/6 FR
Foam	Cell-PE
Minimum actuating radius	$R_{Amin} = 250 \text{ mm}$ , $R_{Bmin} = 400 \text{ mm}$
Extraction forces	up to 50 N