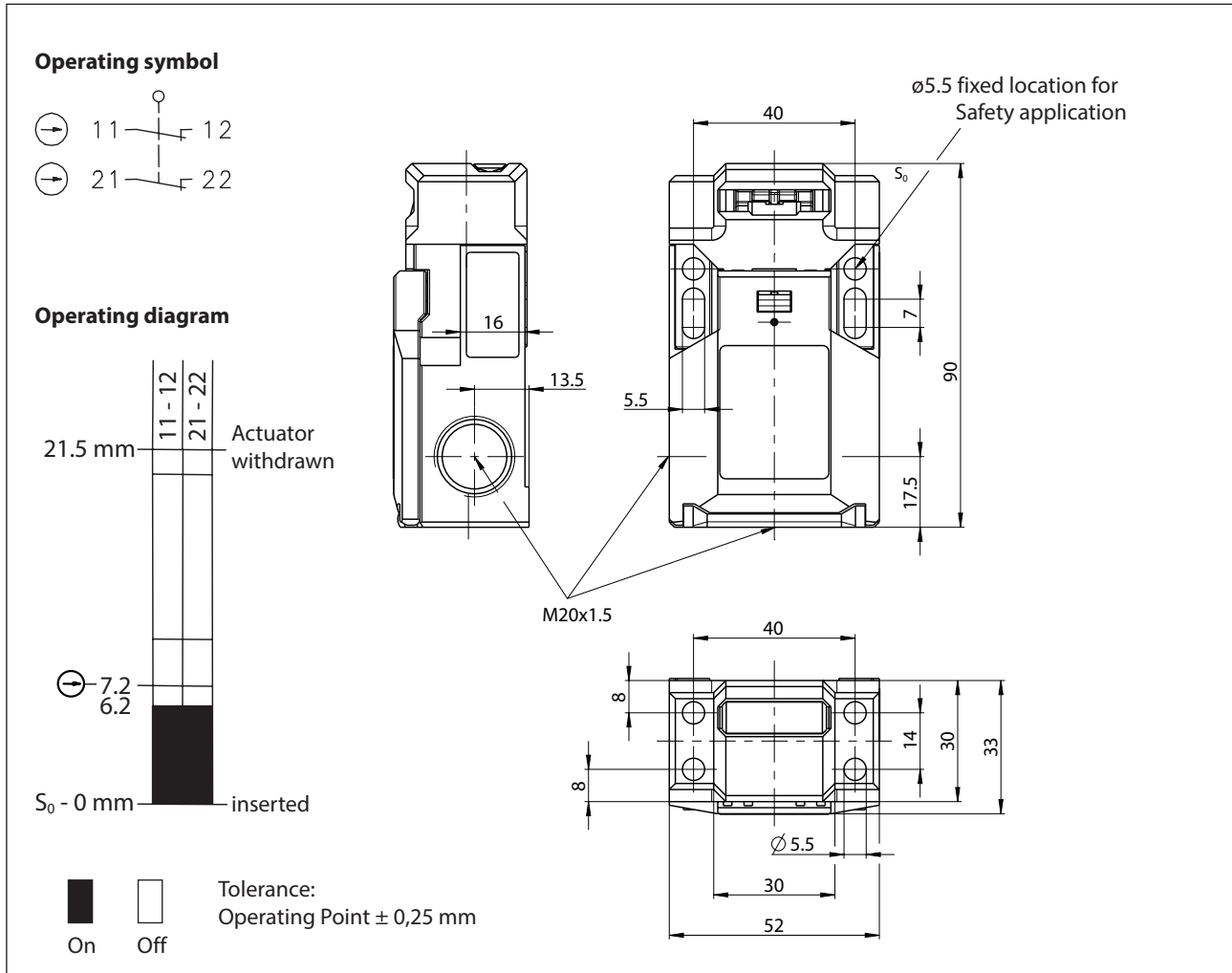


Safety switch

Series SK- with separate actuator

Description **SK-A2Z**

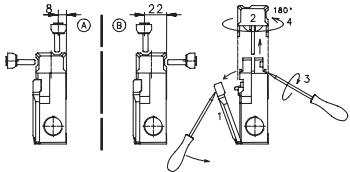
Article number **6016169182**



Electrical Data		
Rated insulation voltage	U_i	250 V AC
Conv. thermal current	I_{the}	10 A
Utilization category		AC-15, U_e / I_e 240 V / 3 A DC-13, U_e / I_e 24 V / 4 A
Direct opening action	\ominus	according to IEC/EN 60947-5-1, Annex K
Short-circuit protective device		Fuse 6 A gG
Protection class	\square	II
Electrical life (90%)		$2,1 \times 10^5$ switching cycles (at DC-13; 24 V; $I_{e2} = 1.0$ A at frequency 60/min)

Mechanical data	
Enclosure	Polyamid PA6 GF FR (UL94-V0)
Cover	Polyamid PA66/6 GF FR (UL94-V0)
Extraction force	10 N
Ambient air temperature	-30 °C ... +80 °C
Contact type	2 NC (Zb)
Mechanical life	1 x 10 ⁶ switching cycles
Switching frequency	≤ 30 / min.
Assembly	2 x M5
Connection	4 screw connections (M3,5)
Conductor cross-sections	0,5 ... 1,5 mm ² (solid or stranded wire with ferrules)
Cable entrance	3 x M20 x 1,5
Weight	≈ 0,12 kg
Installation position	operator definable
Protection type	IP65 acc. to IEC/EN 60529

Characteristics for functional safety	
B10 _d - NC contact	2 x 10 ⁶ switching cycles (at DC-13; 24 V; I _{e2} = 0,1 A)
B10 _d - NC contact	7,8 x 10 ⁵ switching cycles (at DC-13; 24 V; I _{e2} = 1,0 A at frequency 60/min)

Actuation	
<p>Turning the cap (pos A/B) allows 4 different directions of drive. Cover (1) has to be opened before turning the cap (2). Insert the screwdriver into the gap between housing and cap and turn until the cap snaps off. Remove the cap, turn it 180° (4), latch it into the housing and close the cover.</p>	

Standards
DIN EN 60947-5-1
DIN EN ISO 13849-1
DIN EN ISO 14119

EU Conformity
acc. to directive 2006/42/EC (Machinery Directive)

UK Conformity
Supply of Machinery (Safety) Regulations 2008, 2008 No. 1597

Approvals
TÜV Rheinland, Product Safety
c CSA _{US} A300 (same polarity)
CCC

Notes

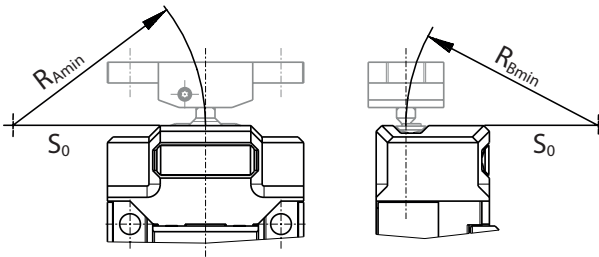
The specified degree of protection (IP code) of the safety switch only applies when the cover is closed and an at least equivalent cable gland with corresponding cable or corresponding cable coupling is used.

The arrangement and fastening of the safety switch and actuator must be carried out in accordance with DIN EN ISO 14119.

With radius actuation, the mechanical service life may be reduced.

The minimum radii can be found in the data sheet of the respective actuator or in the operating and mounting instructions of the switchgear and apply to a pivot point on the level of the upper edge of the enclosure S_0 .

The actuator slot that is not used must be closed by the cover.



R_{Amin} and R_{Bmin} depend on the actuator.

Applies accordingly also to lateral retraction directions.