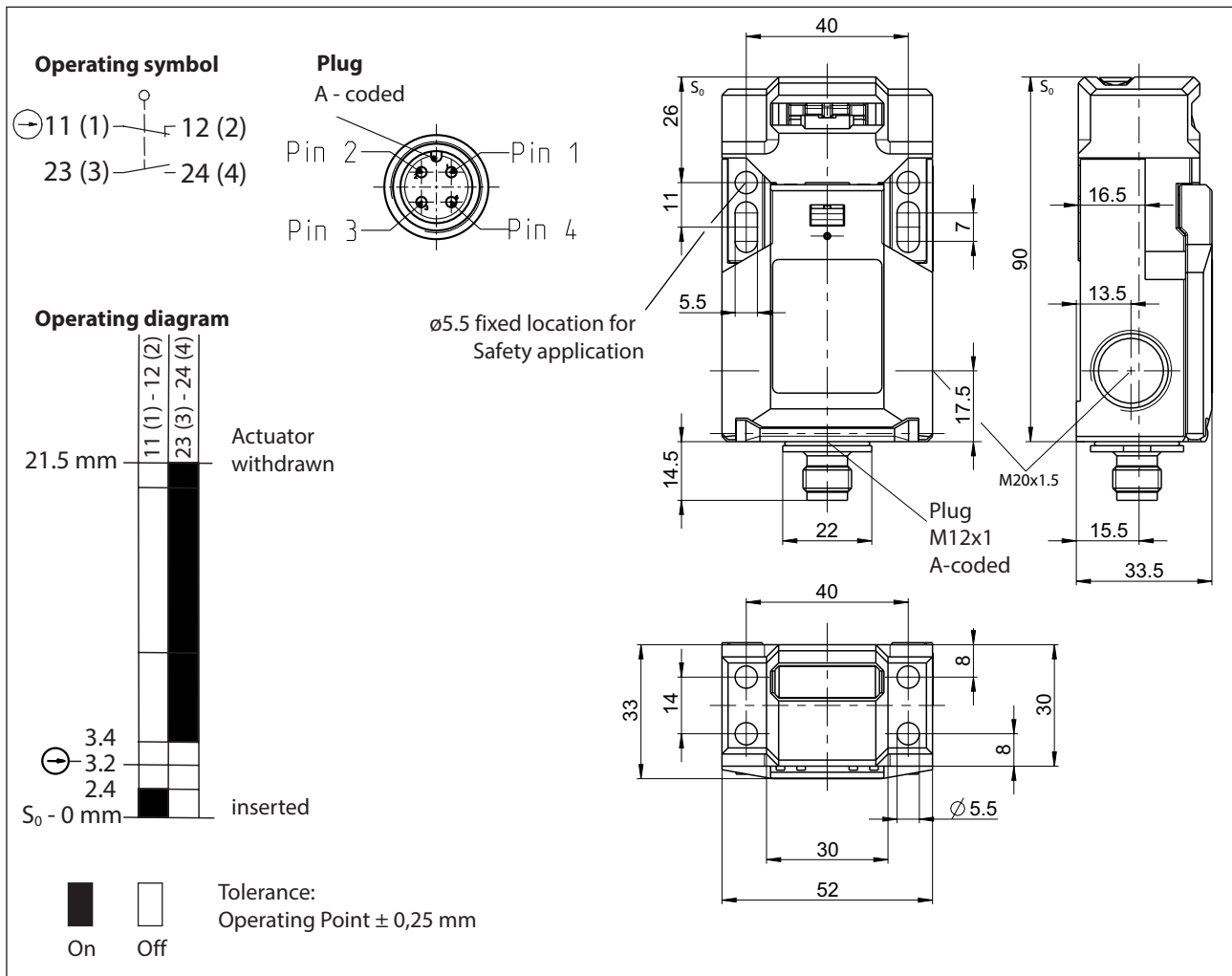


Safety switch

Series SK- with separate actuator

Description **SK-U1Z M12**

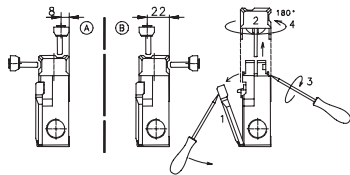
Article number **6016119184**



| Electrical Data | | |
|---------------------------------|-----------|---|
| Rated insulation voltage | U_i | 250 V AC |
| Conv. thermal current | I_{the} | 10 A |
| Utilization category | | AC-15, U_e / I_e 240 V / 3 A DC-13, U_e / I_e 24 V / 4 A |
| Direct opening action | \ominus | according to IEC/EN 60947-5-1, Annex K |
| Short-circuit protective device | | Fuse 10 A gG |
| Protection class | \square | II |
| Electrical life (90%) | | $8,0 \times 10^5$ switching cycles (at DC-13; 24 V; $I_{e2} = 1.0$ A at frequency 60/min) |

| Mechanical data | |
|--------------------------|--|
| Enclosure | Polyamide PA6 GF FR (UL94-V0) |
| Cover | Polyamide PA66/6 GF FR (UL94-V0) |
| Extraction force | 10 N |
| Ambient air temperature | -30 °C ... +80 °C |
| Contact type | 1 NC, 1 NO (Zb) |
| Mechanical life | 1 x 10 ⁶ switching cycles |
| Switching frequency | ≤ 30 / min. |
| Assembly | 2 x M5 |
| Connection | Plug M12x1, A-coded |
| Conductor cross-sections | 0,5 ... 1,5 mm ² (solid or stranded wire with ferrules) |
| Cable entrance | 2 x M20 x 1,5 |
| Weight | ≈ 0,13 kg |
| Installation position | operator definable |
| Protection type | IP65 acc. to IEC/EN 60529 |

| Characteristics for functional safety | |
|---------------------------------------|--|
| B10 _d - NC contact | 2 x 10 ⁶ switching cycles (at DC-13; 24 V; I _{e2} = 0,1 A) |
| B10 _d - NC contact | 1,9 x 10 ⁶ switching cycles (at DC-13; 24 V; I _{e2} = 1,0 A at frequency 60/min) |
| B10 _d - NO contact | 0,5 x 10 ⁶ switching cycles (at DC-13; 24 V; I _{e2} = 0,1 A) |

| Actuation | |
|---|---|
| <p>Turning the cap (pos A/B) allows 4 different directions of drive. Cover (1) has to be opened before turning the cap (2). Insert the screwdriver into the gap between housing and cap and turn until the cap snaps off. Remove the cap, turn it 180° (4), latch it into the housing and close the cover.</p> |  |

| Standards | |
|-----------|--------------------|
| | DIN EN 60947-5-1 |
| | DIN EN ISO 13849-1 |
| | DIN EN ISO 14119 |

| EU Conformity | |
|---------------|--|
| | acc. to directive 2006/42/EC (Machinery Directive) |

| UK Conformity | |
|---------------|--|
| | Supply of Machinery (Safety) Regulations 2008, 2008 No. 1597 |

| Approvals | |
|-----------|---|
| | TÜV Rheinland, Product Safety |
| | cCSA _{US} A300 (same polarity) |
| | CCC |

Notes

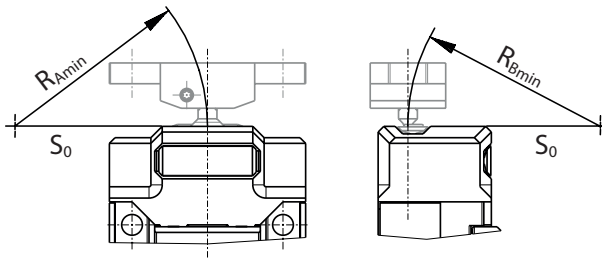
The specified degree of protection (IP code) of the safety switch only applies when the cover is closed and an at least equivalent cable gland with corresponding cable or corresponding cable coupling is used.

The arrangement and fastening of the safety switch and actuator must be carried out in accordance with DIN EN ISO 14119.

With radius actuation, the mechanical service life may be reduced.

The minimum radii can be found in the data sheet of the respective actuator or in the operating and mounting instructions of the switchgear and apply to a pivot point on the level of the upper edge of the enclosure S_0 .

The actuator slot that is not used must be closed by the cover.



R_{Amin} and R_{Bmin} depend on the actuator.

Applies accordingly also to lateral retraction directions.