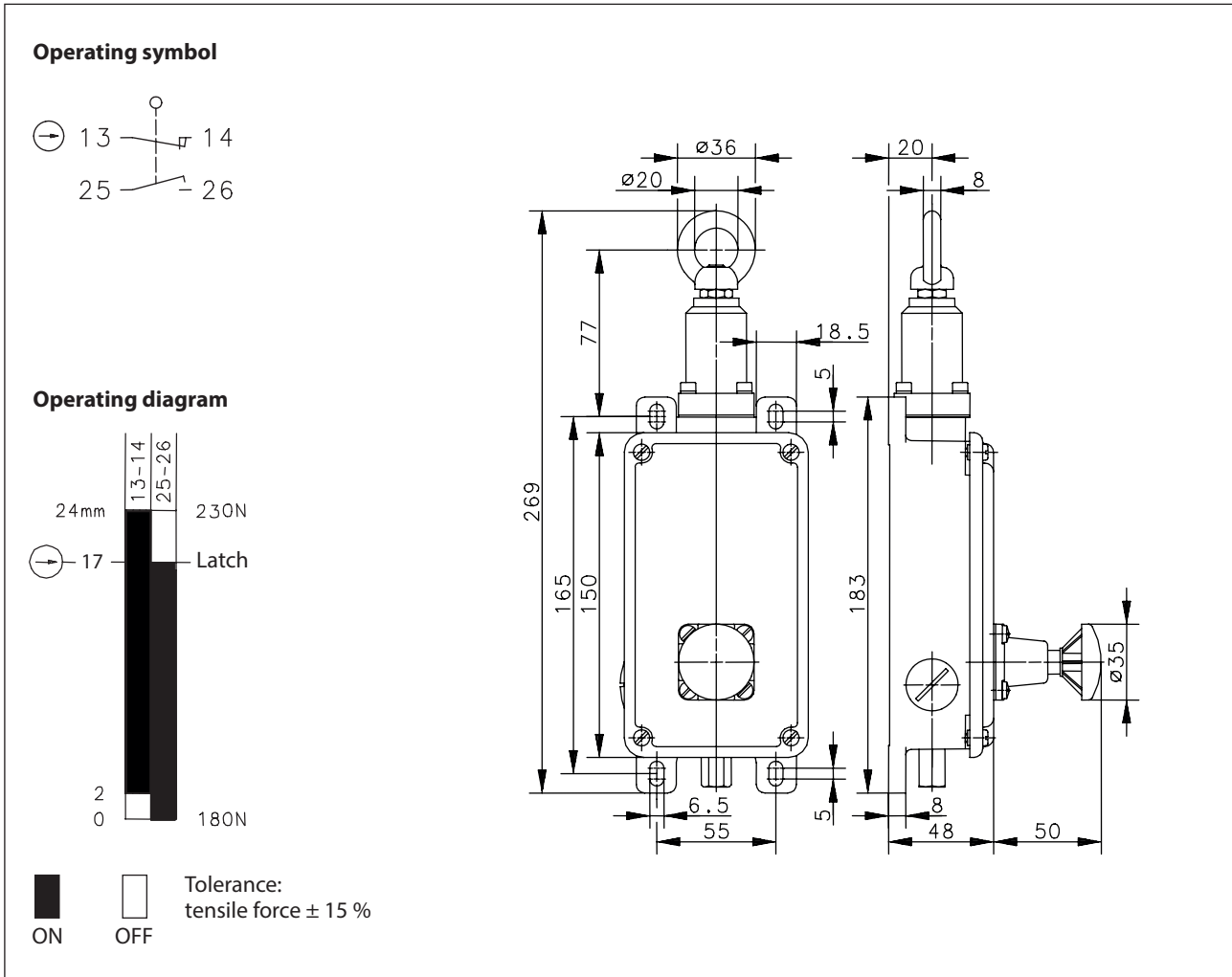


Rope pull switch

Series SIN

Description **SIN-UV1Z P-RAST**

Artikelnummer **6013531367**



Electrical data		
Rated insulation voltage	U_i	400 V AC
Conv. thermal current	I_{the}	16 A
Rated operational voltage	U_e	240 V
Utilization category		AC-15, U_e / I_e 240 V / 10 A
Direct opening action	\ominus	acc. to IEC/EN 60947-5-1, Annex K
Short-circuit protective device		Fuse 16 A gG
Protection class		I

Mechanical data	
Enclosure	Aluminium sand cast
Cover	Aluminium sand cast
Actuator	Pull ring
Ambient air temperature	-30 °C ... +80 °C
Contact type	1 NC, 1 NO (Zb)
Reset facility	Push button
Mechanical life	1 x 10 ⁶ switching cycles
Switching frequency	≤ 20/min.
Assembly	4 x M6
Connection	4 screw terminals (M4)
Conductor cross-sections	Solid: 0,5 ... 1,5 mm ² Litz wire with ferrules: 0,5 ... 1,5 mm ²
Cable entrance	2 x M20 x 1,5
Weight	≈ 1,3 kg
Installation position	operator definable
Protection type	IP 65 acc. to IEC/EN 60529

Key figures for safety technology	
B10 _d	2 x 10 ⁶

Standards	
	DIN EN 60947-5-1

EU Conformity	
	acc. to directive 2014/35/EU (Low-Voltage-Directive)

Approvals	
	cCSA _{US} A300 (same polarity)

Notes	
The degree of protection (IP code) specified applies solely to a property closed cover and the use of an equivalent cable gland with adequate cable.	