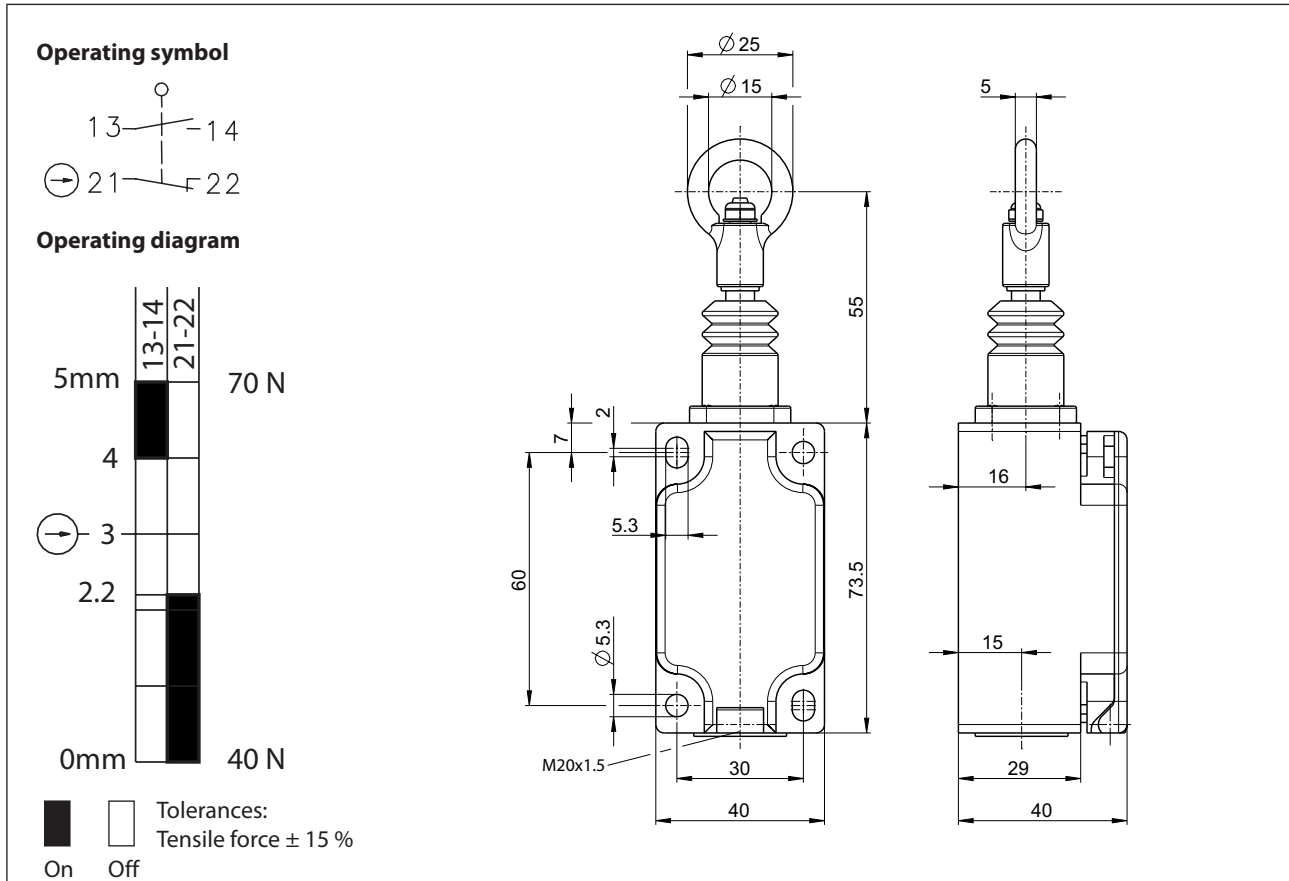


Rope pull switch Series SEK

Description **SEK-U1Z**

Article number **6011811133**



Electrical data

| | | |
|---------------------------------|-----------|-----------------------------------|
| Rated insulation voltage | U_i | 400 V AC |
| Conv. thermal current | I_{the} | 10 A |
| Rated operational voltage | U_e | 240 V |
| Utilization category | | AC-15, U_e / I_e 240 V / 3 A |
| Positive opening NC contact | \ominus | acc. to IEC/EN 60947-5-1, Annex K |
| Short-circuit protective device | | Fuse 10 A gG |
| Protection class | | II, totally insulated |

| Mechanical data | |
|--------------------------|--|
| Enclosure | Thermoplastic, glass fibre reinforced |
| Cover | Thermoplastic, glass fibre reinforced |
| Actuator | Pull ring (Zn-die cast; rotatable, without stop) |
| Ambient air temperature | -30 °C ... +80 °C |
| Contact type | 1 NC, 1 NO (Zb) |
| Mechanical life | 1 x 10 ⁶ operating cycles |
| Switching frequency | ≤ 50 / min. |
| Assembly | 4 x M5 |
| Connection | 4 screw terminals (M3,5) |
| Conductor cross-sections | Solid: 0,5 ... 1,5 mm ² Litz wire with ferrules: 0,5 ... 1,5 mm ² |
| Cable entrance | 1 x M20 x 1,5 |
| Weight | ≈ 0,17 kg |
| Installation position | Operator definable |
| Protection type | IP65 acc. to IEC/EN 60529 |

| ID for safety engineering | |
|---------------------------|--------------------------------------|
| B10d - value | 2 x 10 ⁶ switching cycles |

| Standards | |
|-----------|------------------|
| | DIN EN 60947-5-1 |

| EU Conformity | |
|---------------|--|
| | acc. to directive 2014/35/EU (Low-Voltage-Directive) |

| Approvals | |
|-----------|---|
| | CCC |
| | cUL _{US} |
| | cCSA _{US} A300 (same polarity) |

| Notes | |
|--|--|
| The degree of protection (IP code) specified applies solely to a property closed cover and the use of an equivalent cable gland with adequate cable. | |