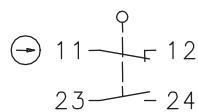


## Plastic bodied limit switch Series C2

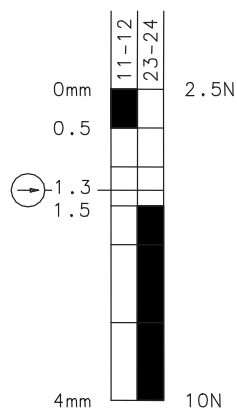
Description **C2-U1Z K**

Article number **6008107019**

### Operating symbol

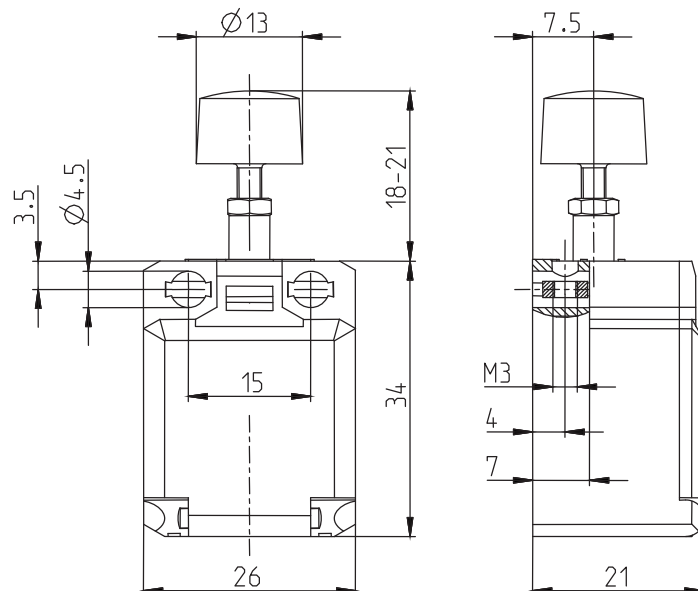


### Operating diagram



Tolerance:  
Operating point  $\pm 0,25$  mm;  
Operating torque  $\pm 10$  %

On Off



### Electrical Data

Rated insulation voltage	$U_i$	250 V AC
Conv. thermal current	$I_{the}$	10 A
Rated operational voltage	$U_e$	240 V
Utilization category		AC-15, $U_e/I_e$ 240 V / 3 A
Direct opening action	$\ominus$	acc. to IEC/EN 60947-5-1, Annex K
Short-circuit protective device		Fuse 6 A gG
Protection class		II, totally insulated

Mechanical data	
Enclosure	Thermoplastic, glass fibre reinforced (UL 94-V0)
Cover	Thermoplastic
Actuator	Button (Thermoplast)
Ambient air temperature	-30 °C ... +80 °C
Contact type	1 NC, 1 NO (Zb)
Mechanical life	3 x 10 <sup>6</sup> operating cycles
Switching frequency	≤ 100 / min.
Assembly	2 x M3
Connection	4 screw connections (M3,5)
Conductor cross-sections	Solid: 0,5 ... 1,5 mm <sup>2</sup> or Litz wire with ferrules: 0,5 ... 1,5 mm <sup>2</sup>
Cable entrance	Rectangle 8,5 x 3,5 mm
Weight	≈ 0,02 kg
Installation position	operator definable
Protection type	IP20 nach EN 60529; DIN VDE 0470 T1 IP30 bei voller Kontaktbelegung, mit Litzen deren Außendurchmesser ≥ 2,2 beträgt.

Actuation
The push bolt actuator is mainly intended to be actuated along its axis. Side actuation will considerably reduce switch life. The switch may not be used as a mechanical stop.

ID for safety engineering
B10d 6 x 10 <sup>6</sup> cycles

Standards
VDE 0660 T100, DIN EN 60947-1, IEC 60947-1
VDE 0660 T200, DIN EN 60947-5-1, IEC 60947-5-1
DIN EN ISO 13849-1

EU Conformity
acc. to directive 2014/35/EU

Approvals
cCSA <sub>US</sub> , UL
CCC

Notes
The specified protection classification (IP code) applies only when the cover is closed.