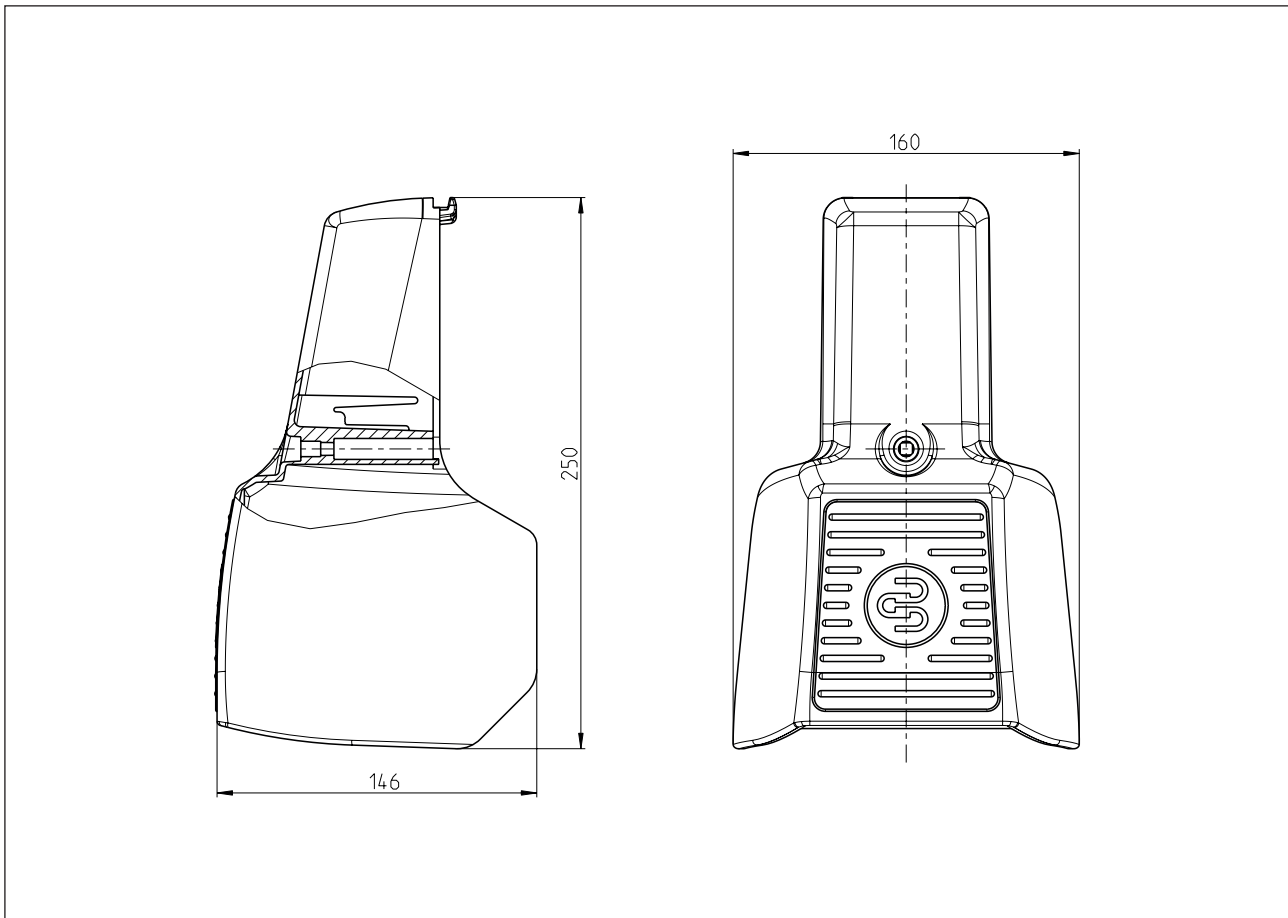


Foot-switch Protective guard Series F1

Description **F1-UN-HAUBE M.FKZ KOMP.**

Article number **3906010719**



Mechanical data

Protective hood	Die-cast aluminium, colour: RAL 3016 (coral red)
Gasket	NBR
Screw	1 x M6 screw (galvanized)

Application

Suitable for the corresponding BERNSTEIN foot switches series F1.