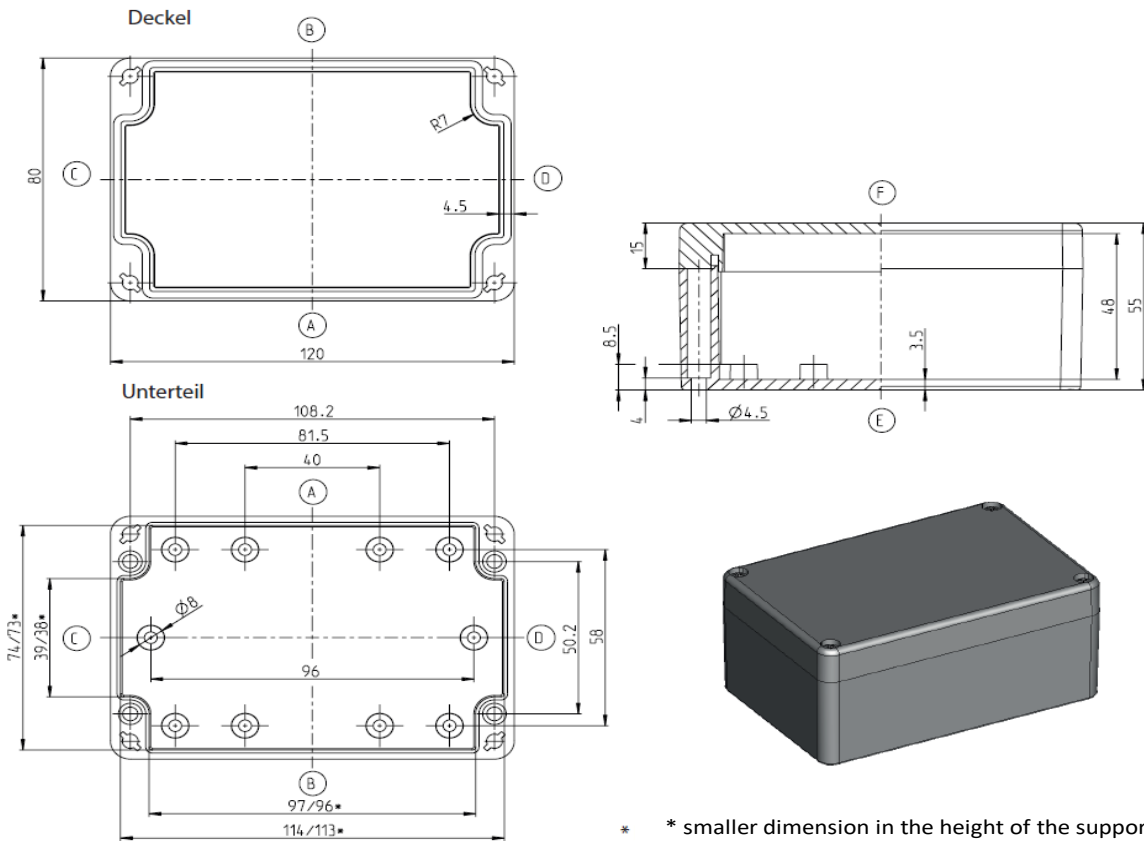


Standard enclosure

Series CT (ABS)

Type description CT-582

Article number 358000000



CT-58

* * smaller dimension in the height of the support surface of the mounting plate

Standard version

Scope of delivery:

- Gehäuseunterteil / Lower part of enclosure / Partie inférieure du boîtier
- Gehäusedeckel / Enclosure lid / Couvercle du boîtier
- Schnellverschluss (Kombi-Kreuzschlitz) lose beigelegt / Quick fastener (combination slotted head) enclosed loose / libération rapide (à fente cruciforme combinée) fournies en vrac
- Innenliegende Befestigungsdomes für selbstformende Schrauben (Schrauben liegen bei) / Internal mounting domes for self-tapping screws (screws are included) / Dômes de montage internes pour vis autotaraudeuses (les vis sont incluses)
- RAL7035 (lichtgrau) / RAL7035 (light grey) / RAL7035 (gris clair)
- Deckeldichtung PUR / lid gasket PUR / Joint de couvercle PUR
- Einzelverpackung in Folie / Single packaging in foil / Emballage individuel sous film

Maximum possible number of threads (data for same diameter, not mixed!)

| ISO M | M12 | M16 | M20 | M25 | M32 | M40 | M50 | M63 |
|----------|-----|-----|-----|-----|-----|-----|-----|-----|
| Side A/B | 9 | 4 | 3 | 2 | 0 | 0 | 0 | 0 |
| Side C/D | 2 | 1 | 1 | 0 | 0 | 0 | 0 | 0 |

BERNSTEIN AG . Hans-Bernstein-Straße 1 . 32457 Porta Westfalica . www.bernstein.eu

Technical changes and errors excepted.

This data sheet corresponds to the technical status as of 17.05.2023 [TT.MM.JJJJ] and will not be withdrawn in the event of changes.

Technical data



Standard enclosure
Series CT (ABS)

Properties table CT-582 Article number 358000000

| Specification | Value | according to standard | Comment |
|--|---|-----------------------|---|
| General data | | | |
| Weight | 135g | | |
| External dimensions | 120x80x55 | | |
| Degree of protection | | | |
| <i>IP code</i> | IP66 | DIN EN 60529 | |
| <i>IP code</i> | — | DIN EN 60529 | |
| <i>IK code</i> | IK07 | DIN EN 62262 | |
| Materials | | | |
| <i>Enclosure</i> | ABS | — | ABS light grey |
| <i>Lid fastener</i> | 1.4303 | DIN EN 10088-3 | Quick release fastener |
| <i>Additional screws</i> | ST verzinkt | — | Panhead tapping screws |
| <i>Spring washer</i> | — | — | — |
| <i>Press-in nut</i> | — | — | — |
| <i>Seal</i> | PUR | — | Colour: black-grey 2K-polyurethane foam gasket |
| Toxic behaviour | Halogenfrei / Halogen-free / Sans halogène | | — |
| Mechanical properties | | | |
| Torques | | | |
| <i>Cover fastener</i> | — | | 1/4 Rotation |
| <i>Ground screw</i> | — | | — |
| <i>Fastening accessories</i> | 1,0 Nm | | e.g. support rail, mounting plate |
| <i>Other fastening</i> | 1,0 Nm | | Screw channel, external fixing bracket |
| Maximum installation weight | 0,3Kg | | — |
| Thermal properties | | | |
| Temperature range | | | |
| <i>Enclosure complete</i> | -40°C bis +80°C | — | — |
| <i>Enclosure material</i> | -40°C bis +80°C | — | — |
| <i>Seal</i> | -40°C bis +100°C | — | PUR |
| Fire behaviour | | | |
| <i>Flammability</i> | Flammklasse: 1,2mm = HB75 Flammklasse: 1,5mm = HB75 Flammklasse: 3,0mm = HB40 | UL 94 | Same content as IEC60659-11-10 and IEC 60695-11-20 |
| <i>Glow wire test</i> | — | — | — |
| Temperature index Enclosure material | | | |
| <i>RTI (tensile strength)</i> | 60°C | UL 746 B | — |
| <i>RTI (impact strength)</i> | 60°C | UL 746 B | — |
| <i>RTI (dielectric strength)</i> | 60°C | UL 746 B | — |
| Heat resistance | | | |
| <i>Insulation class</i> | — | — | — |
| Fire behaviour - Fire protection in railway vehicles according to EN 45545-2:2020-10 | | | |
| <i>Requirement set R1</i> | — | — | — |
| <i>Requirement set R6</i> | — | — | — |
| <i>Requirement set R7</i> | — | — | — |
| Oxygen index | — | — | — |
| Storage temperature | -20°C bis +60°C | — | — |
| Thermal resistance | 7,95 K/W | — | taking into account the effective power loss |

BERNSTEIN AG . Hans-Bernstein-Straße 1 . 32457 Porta Westfalica . www.bernstein.eu

Technical changes and errors excepted.




This data sheet corresponds to the technical status as of 17.05.2023 [TT.MM.JJJJ] and will not be withdrawn in the event of changes.

Technical data



Standard enclosure
Series CT (ABS)

Properties table CT-582 Article number **358000000**

| Specification | Value | according to standard | Comment |
|---|--|-----------------------|--|
| Usual operating conditions according to DIN EN 62208 | | | |
| Ambient temperature | | | |
| <i>Indoor installation</i> | -5°C bis +40°C | — | on average over 24h +35°C |
| <i>Outdoor installation</i> | -25°C bis +40°C | — | on average over 24h +35°C |
| Relative humidity | | | |
| <i>Indoor installation</i> | max. 50% bei +40°C | — | at low temperatures also higher (e.g. 90% at 20°C); occasionally condensation permissible |
| <i>Outdoor installation</i> | zeitweise / temporary / temporairement 100 % bei +25°C | — | at low temperatures also higher (e.g. 90% at 20°C); occasionally condensation permissible |
| Chemical properties | | | |
| Corrosion resistance | — | — | — |
| Corrosion resistance | — | — | — |
| Salt spray test | — | — | — |
| Resistance list for enclosure materials and seals | | | see catalogue details |
| Electrical properties | | | |
| Protection class | II | EN 61140 / VDE 0140-1 |  Protection through double or reinforced insulation |
| Rated voltage | max. 1000V | — | — |
| Surface resistance | 10 ¹³ Ohm | IEC 60093 | — |
| Dielectric strength | 17 kV/mm | IEC 60243-1 | — |
| Further specifications | | | |
| General tolerances | | | |
| <i>Casting tolerance</i> | TG 4 | DIN ISO 20457 | Plastics moulded parts – Tolerances and acceptance conditions |
| <i>Machining tolerance</i> | mH | DIN ISO 2768 | Machining tolerance |
| Product standard | konform/compliant/conforme | DIN EN 62208 | Empty enclosures for low-voltage switchgear and controlgear assemblies |
| Approval | | | |
| <i>c UL us</i> | — | — | — |
| <i>ATEX / IECeX</i> |  —  — | — | — |
| <i>DNV</i> | — | — | — |
| Conformities / Directives | | | |
| <i>Directive 2011/65/EU (RoHs)</i> | konform/compliant/conforme | 2011/65/EU (RoHs) | RoHs |
| <i>Low Voltage Directive</i> | konform/compliant/conforme | 2014/35/EU | — |
| <i>Electrical Equipment (safety) Regulations 2016 (CA UK)</i> | konform/compliant/conforme | 2016 NO.1101 | — |

BERNSTEIN AG . Hans-Bernstein-Straße 1 . 32457 Porta Westfalica . www.bernstein.eu

Technical changes and errors excepted.

This data sheet corresponds to the technical status as of 17.05.2023 [TT.MM.JJJJ] and will not be withdrawn in the event of changes.