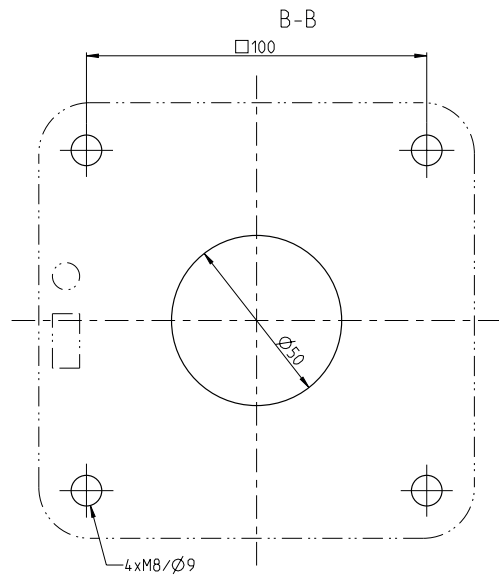
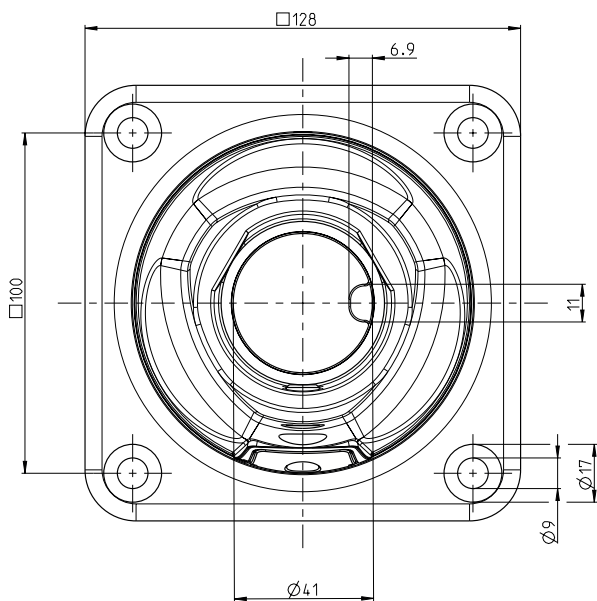
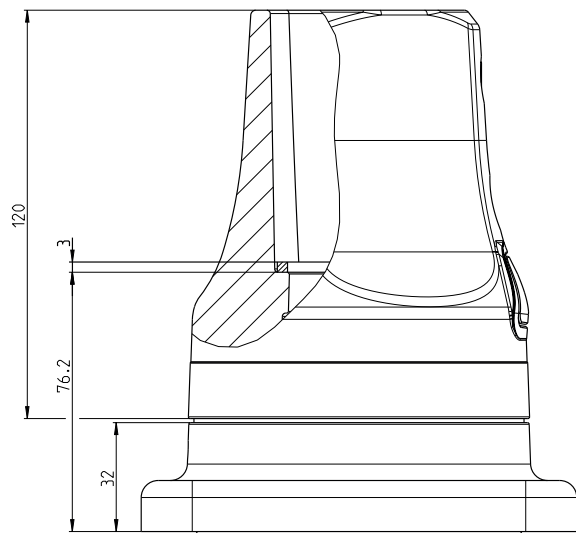
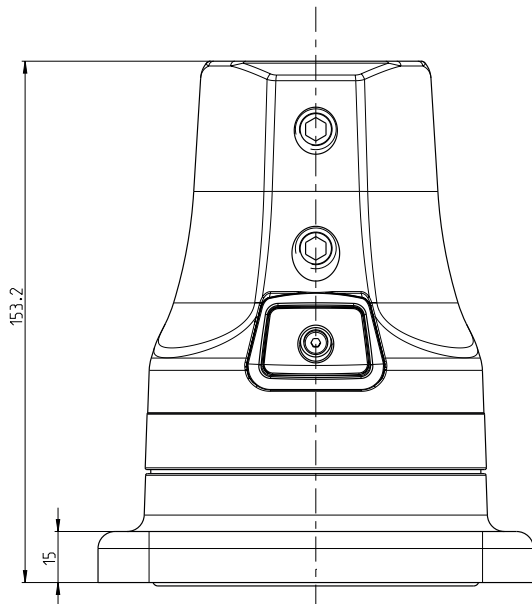


Type CS-480B.flex Base, rotary

Article number 1014800014



Maschine drawing for mounting surfaces

Component pictograms



Base, rotary
Art.-Nr.:1014800014
RAL 9006

Property chart			
Specification	Value	According to standard	Remark
General data:			
Dimensions (mm)	128 x 128 x 153 mm		
Weight	~ 1,923 kg		
Protection classes	IP65	EN 60529	
Rated voltage	Max. 400 V (AC) Max. 48 V (DC)		
Protection class	I	EN 61140 / VDE 0140-1	Protection by protective conductor
Temperature range	-5°C bis +70°C		
Largest gland cross-section	ø41 mm (partial area constricted)		Details see drawing
Material			
Components	GD-Al		
Cover	GD-Al		
Gasket	CR / NBR		
Bearing	POM		
Surface:			
Components	powder-coated (Standard = RAL 9006)		
swivel angle:			
Boundary by stop stones	max.300° 30° steps		