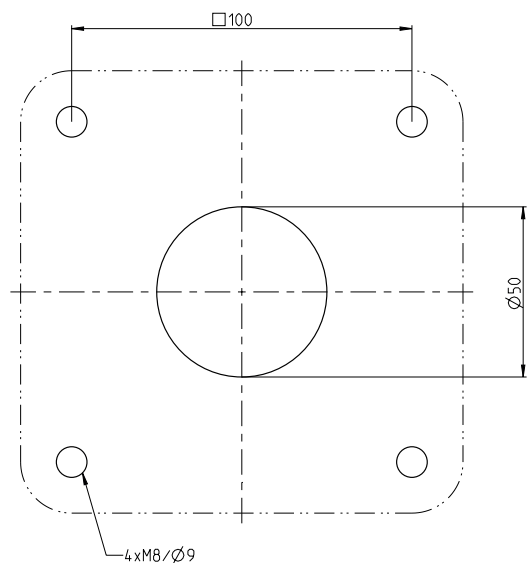
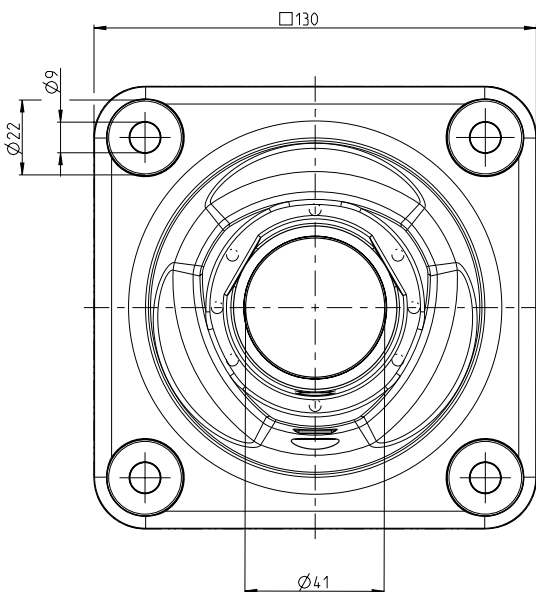
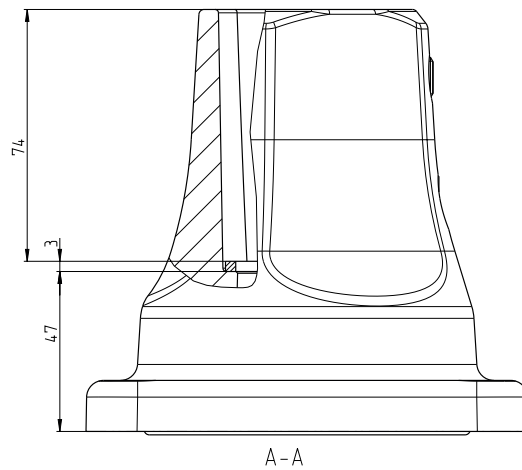
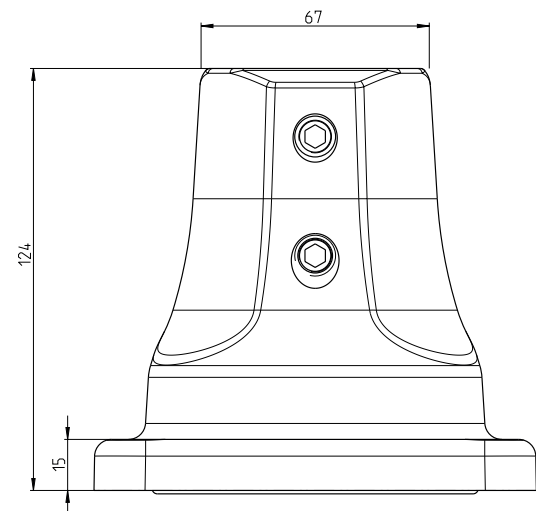


Type CS-480B.flex Base

Article number 1014800013



Maschine drawing for mounting surfaces

**Component pictograms**



Base  
Art.-Nr.:1014800013  
RAL 9006

Property chart			
Specification	Value	According to standard	Remark
<b>General data:</b>			
Dimensions (mm)	130 x 130 x 124 mm		
Weight	~ 1,278 kg		
Protection classes	IP65	EN 60529	
Rated voltage	Max. 400 V (AC) Max. 48 V (DC)		
Protection class	I	EN 61140 / VDE 0140-1	Protection by protective conductor
Temperature range	-5°C bis +70°C		
Largest gland cross-section	ø41 mm		Details see drawing
<b>Material</b>			
Components	GD-Al		
Gasket	CR		
<b>Surface:</b>			
Components	powder-coated (Standard = RAL 9006)		