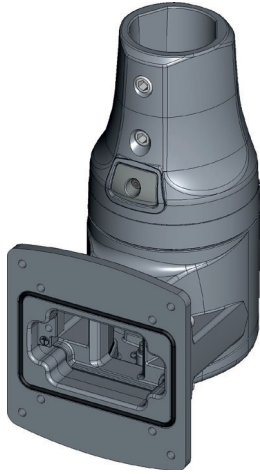
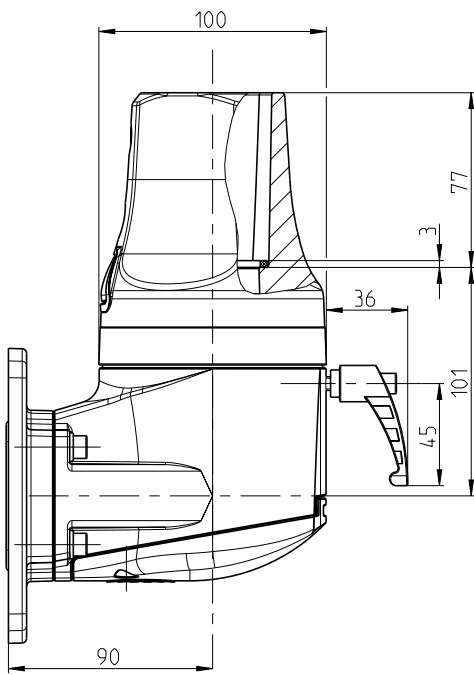
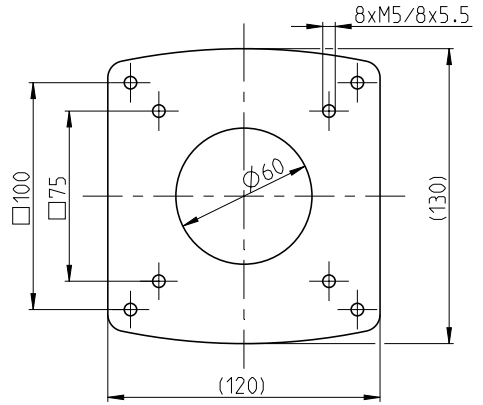


Type CS-480B.flex Panel coupling S

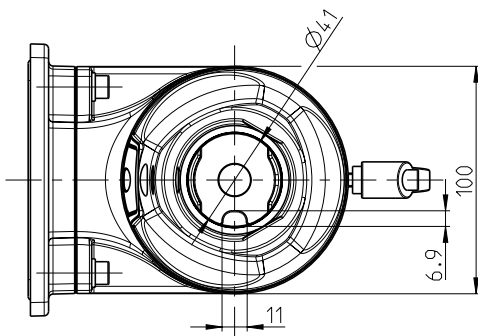
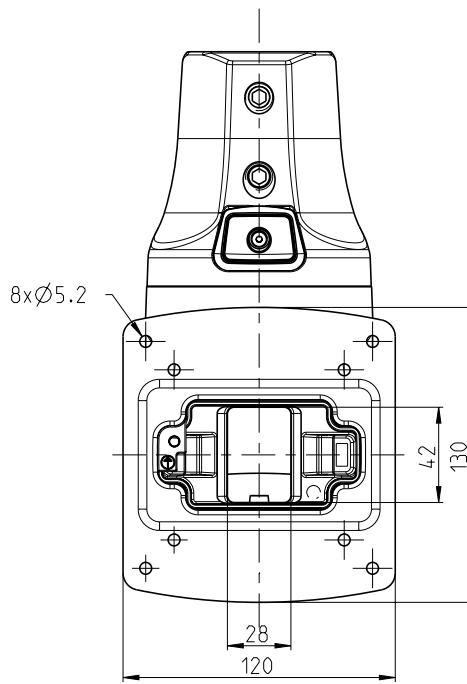
Article number 101480003



Hole pattern / flange dimensions



A-A



## Component pictograms



Panel coupling S  
Art.-Nr.:1014800003  
RAL 9006

Property chart			
Specification	Value	According to standard	Remark
<b>General data:</b>			
Dimensions (mm)	176 x 120 x 243 mm		with clamping lever
Weight	~ 2,668 kg		
Protection classes	IP65	EN 60529	
Rated voltage	Max. 400 V (AC) Max. 48 V (DC)		
Protection class	I	EN 61140 / VDE 0140-1	Protection by protective conductor
Temperature range	-5°C bis +70°C		
max. gland cross-section	28x41mm (partial area constricted)		Details see drawing
<b>Material</b>			
Components	GD-Al		
Cover	GD-Al		
Gasket	CR / NBR		
Bearing	POM		
<b>Surface:</b>			
Components	powder-coated (Standard = RAL 9006)		
swivel angle:	max.300°		
Boundary by stop stones	30° steps		