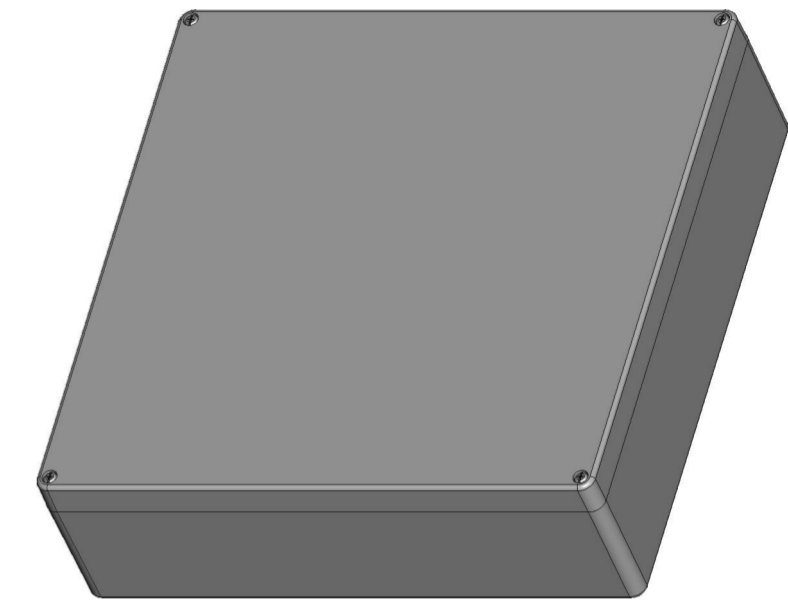
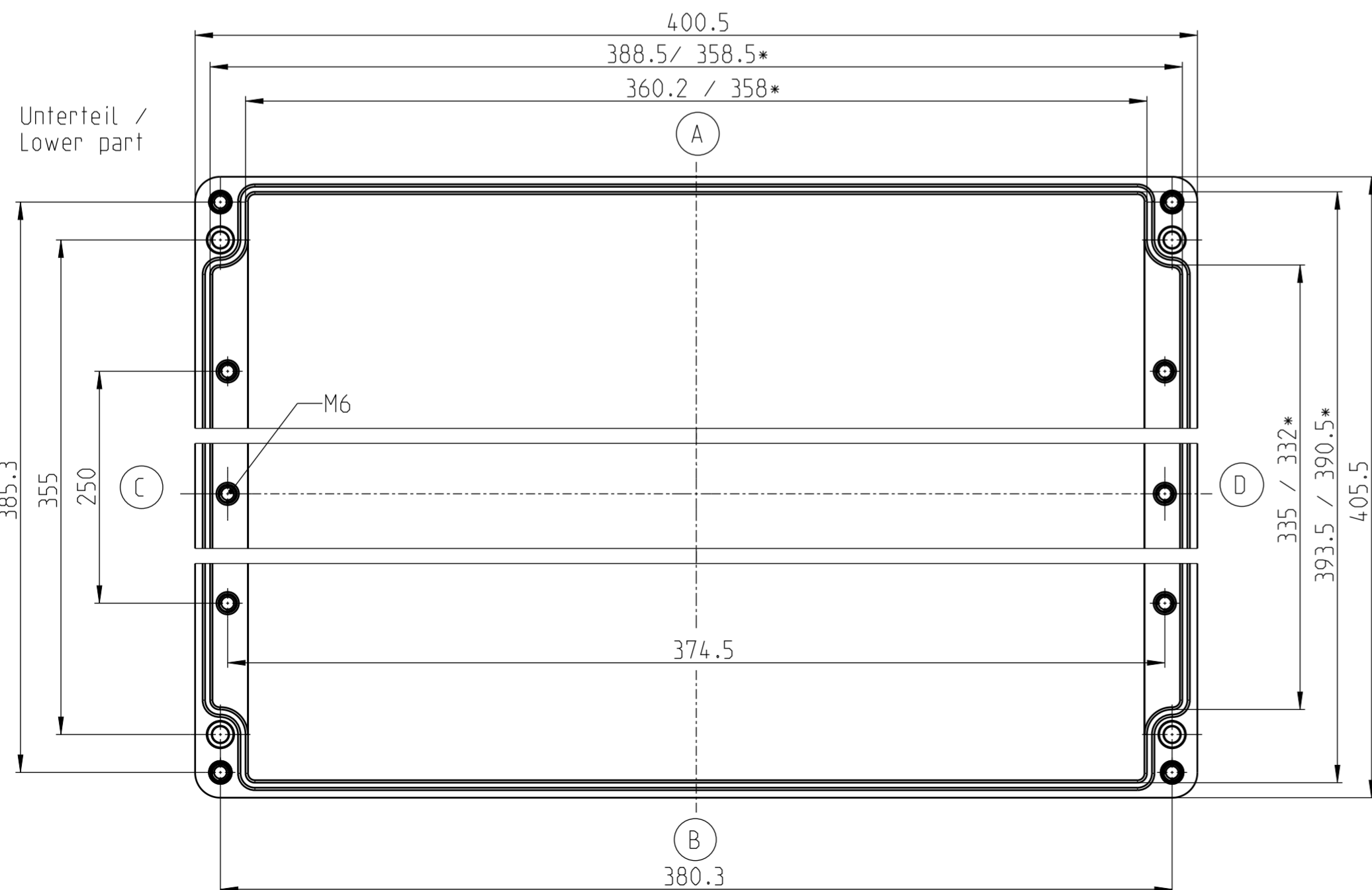
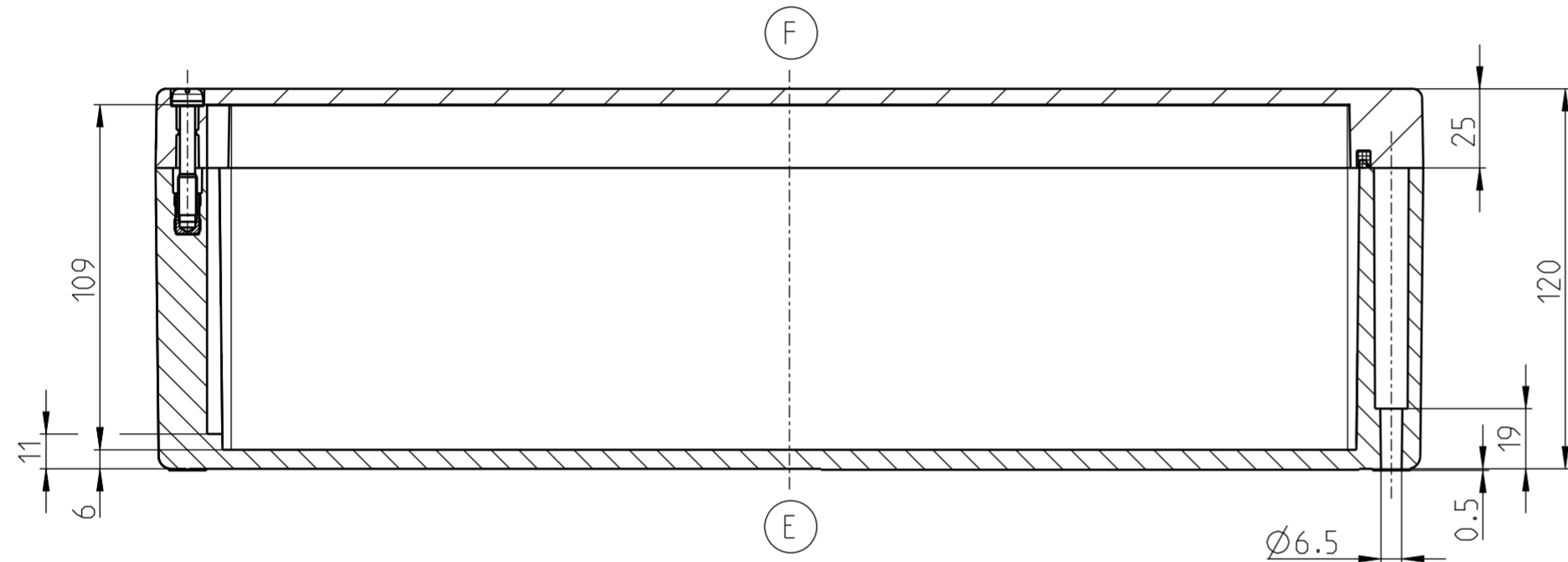


Deckel /
Cover

R12.75
8.6



1:5



* kleineres Maß in Höhe der Montageplattenaufgabe /
smaller dimension in the height of the mounting area

| | | | | |
|---------------------------------------|----|-----------------------------------------------------------------------------------|----------------------------------------------|-----------------------------|
| Mittellingsnummer/Notice number | | Bernstein AG Postfach 1164 D-32437 Porta Westfalica www.bernstein.eu | Masse ohne Toleranzangabe/General tolerances | |
| Entwicklungsnummer/Development number | | | ISO 2768-mH | |
| Umgearbeitet aus/Manufactured out of | | Erstellt/Drawn by | Oberfläche/Surface | |
| Passend zu/Matched with | | 28.06.2023 | S.Hoppe | Werkstoff/Material |
| Mst./Scale | | Freigegeben/Approved by | | Gewicht ca./Weight approx.: |
| 1:2 | A2 | | | 5.85560 kg |
| Blatt/Sheet | | Blatt/Sheet | | Blatt/Sheet |
| 1 / 1 | | 1 / 1 | | 1 / 1 |
| Benennung/ Part Name | | Gehäuse CP-450 BAHN RAL7035 Enclosure CP-450 BAHN RAL7035 | | Modell/ Model |
| | | Nummer/ Drawing No. | | Zeichnung/ Drawing |
| | | 445095000_KD | | 1 |