

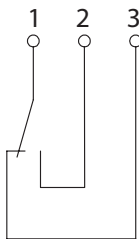
Float switch

Series Standard-Float switch

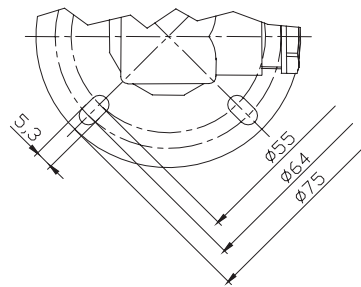
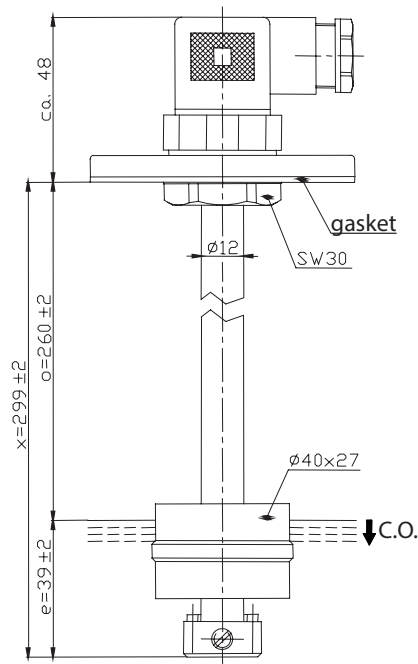
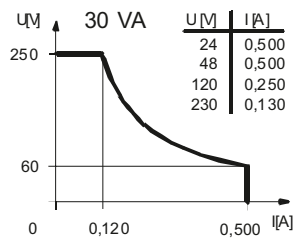
Description **MAA-713 KTS 0299**

Article number **6815100031**

Wiring diagram
(non-actuated state)



Performance diagram



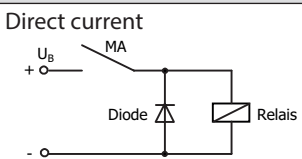
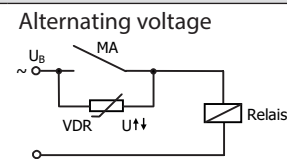
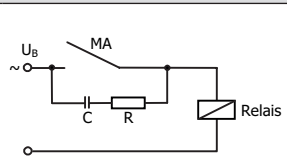
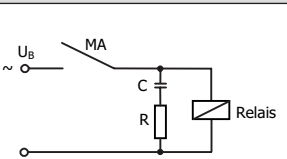
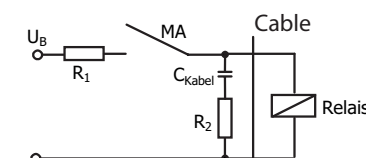
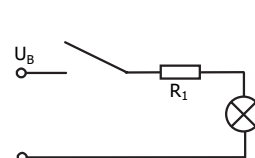
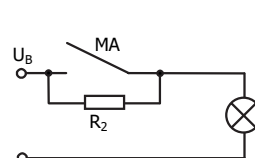
Characteristic features in accordance with EN 60947-5-1

Electrical data		
Rated voltage	U_r	250 V
max. switching current		0,5 A
max. switching capacity		30 VA
Rated insulation voltage	U_i	300 V AC
Rated impulse withstand voltage	U_{imp}	4 kV AC
Overvoltage category		II
Switching element		1 x C.O., falling level
Protection class		II (totally insulated)

Mechanical data	
Flange material	PC
Switching tube material	X6CrNiMoTi17-12-2 (1.4571)
Float material	POM
- density	about 0,7 g/cm ³ ±10 %
- depth of immersion	18 mm ± 2 mm (to a fluid-density of 1 g/cm ³)
Adjusting ring material	X6CrNiMoTi17-12-2 (1.4571)
Gasket material	NBR and Silicone
Ambient air temperature	-5 °C to +60 °C
Liquid temperature	-5 °C to +60 °C
Connection	plug-in connection acc. to DIN EN 175 301-803
Protection type	IP 65 acc to IEC529 / EN 60529 (only in fully locked position with it's plugs)
Max. pressure	10 bar

EU Conformity
acc. to directive 2014/35/EU (Low-Voltage-Directive)

General details
The measures of the switching points refer to a fluid-density of 1 g/cm ³ . The tolerance of the switching points is ±2 mm Pay attention to the contact protection, when switching inductive or capacitive loads. Maximum data must not be exceeded!

Inductive loads			
<p>Direct current</p>  <p>Suppression of voltage peaks with a free-wheeling diode</p>	<p>Alternating voltage</p>  <p>Suppression of voltage peaks with a VDR</p>	 <p>Suppression of voltage peaks with an RC element</p>	
Capacitive loads and lamp loads			
			
Contact protection with resistors for limiting current			