

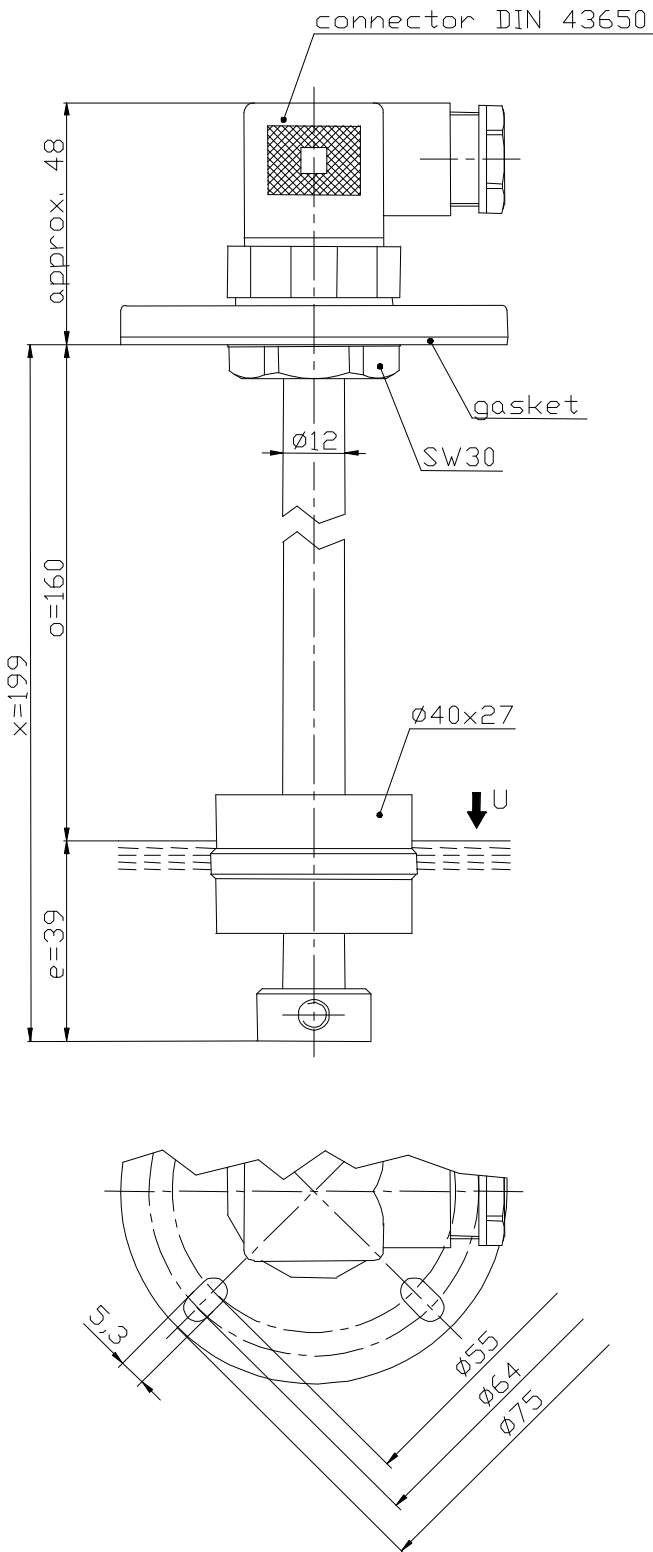
Technical Data

Float Switch

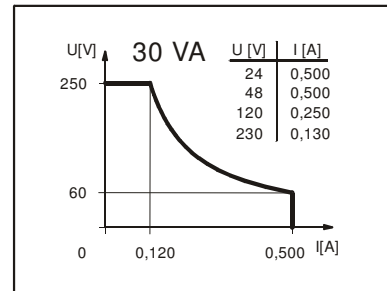
Standard float switches

Description **MAA-713 KTS 0199**

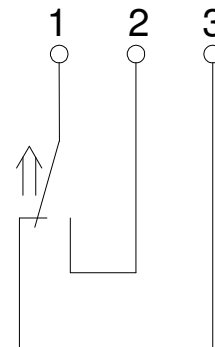
Article number **6815100011**



Performance diagramm
(maximum data)



Wiring diagramm
(matching to the drawing)



Subject to change without notice.

Standard float switches

Description **MAA-713 KTS 0199** Article number **6815100011**

Electrical data

Reed contact	max. switching voltage	250 V
	max. switching current	0,5 A
	max. switching capacity	30 VA
	mechanical life	10 ⁷ to 10 ⁹ switches depending on the load
Switching element		1 change over contact, falling level
Direction category		AC-22A and DC-22A acc to DIN VDE 0660 T107
Standard		acc to DIN VDE 0660 T200

Mechanical data

Flange material	PC	
Switching tube material	1.4571	
Float material	POM	
	-density	about 0,7 g/cm ³ ±10%
	-depth of immersion	18 mm ±2 mm (to a fluid-density of 1 g/cm ³)
Adjusting ring material	1.4571	
Gasket material	NBR and Silicone	
Ambiente air temperature	-5°C bis +60°C	
Medium temperature	-5°C bis +60°C	
Connection	plug-in connection acc. to DIN 43650	
Protection type	IP 65 acc to DIN VDE 0470 T1	
	<u>only with socket</u>	
Max. pressure	10 bar	

General details

Reproducibility of switching points is ±0,05mm based on the same geometrical conditions as of a switch device.
The measures of the switching points refer to a fluid-tight of 1 g/cm³.
The tolerance of the switching points is ±2mm
Pay attention to the contact protection, when switching inductive loads. Maximum data must not be exceeded!