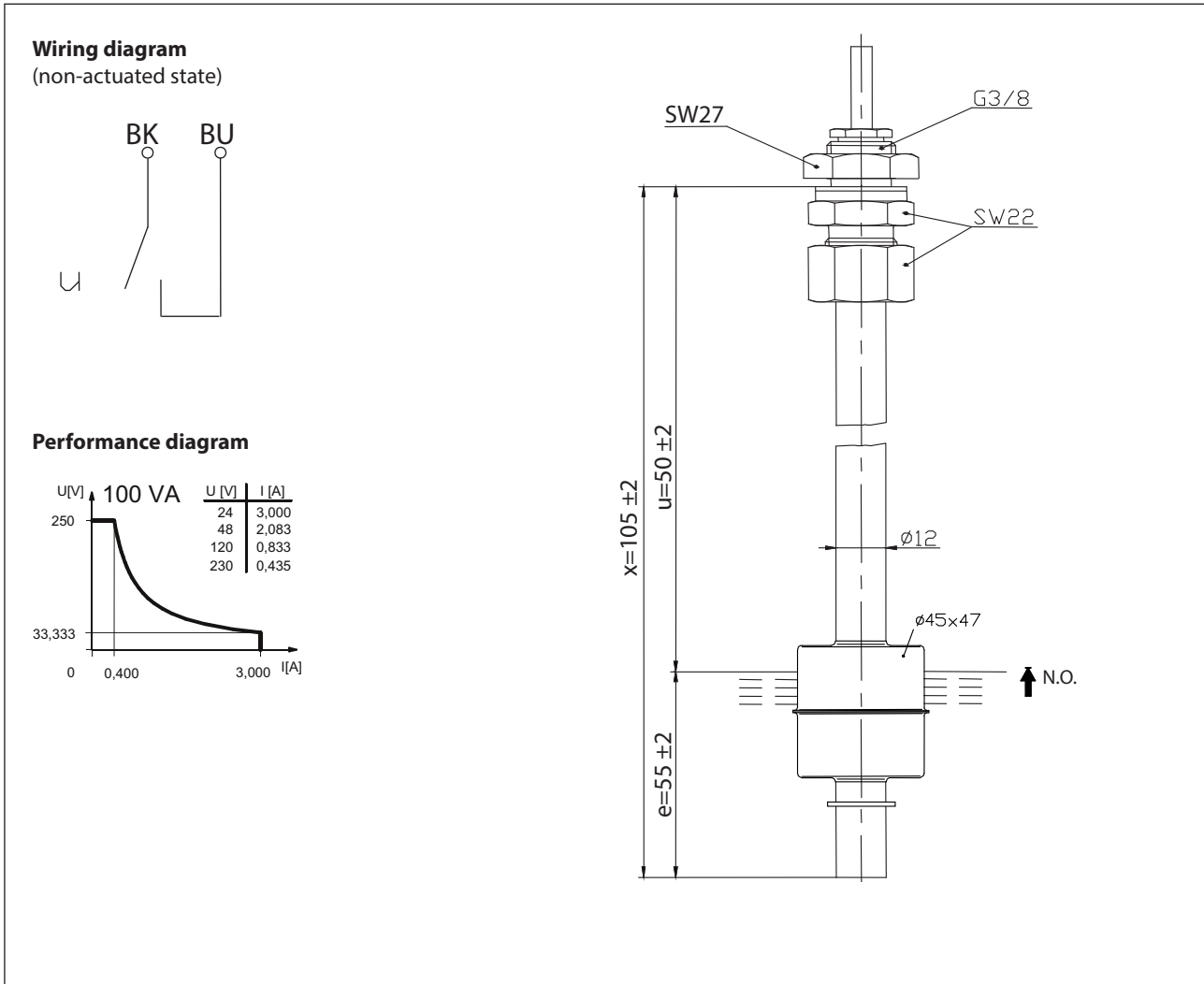


# Float switch

## Series Standard-Float switch

Description **MAP-712 FAS 0105**

Article number **6814222003**



Electrical data		
Rated voltage	$U_r$	250 V
max. switching current		3,0 A
max. switching capacity		100 VA
Rated insulation voltage	$U_i$	300 V AC
Rated impulse withstand voltage	$U_{imp}$	4 kV AC
Overvoltage category		II
mechanical life		$10^7$ to $10^9$ switches
Switching element		1 N.O., rising level
Protection class		II (totally insulated)

Mechanical data	
Bolting material G3/8	CuZn35Ni2 (CW720R)
Jackscrew material	CuZn37 (CW508L) nickel-plated
Hexagon nut material	CuZn39Pb3 (CW614N)
Switching tube material	CuZn37 (CW508L)
Float material	X6CrNiMoTi17-12-2 (1.4571)
- density	about 0,7 g/cm <sup>3</sup> ±10 %
- depth of immersion	32 mm ± 2 mm ( to a fluid-density of 1 g/cm <sup>3</sup> )
Grip screw material	CuSn8 (CW453K)
Gasket material	NBR
Ambient air temperature	-5 °C to +60 °C
Liquid temperature	-5 °C to +60 °C
Connection	Cable 2 x 0,75 mm <sup>2</sup> x 2 m ± 5 %, PVC
Protection type	IP 65 acc to IEC529 / EN 60529
Max. pressure	10 bar

Standards
DIN EN 60947-5-1

EU Conformity
acc. to directive 2014/35/EU

**General details**

The measures of the switching points refer to a fluid-density of 1 g/cm<sup>3</sup>.  
 The tolerance of the switching points is ±2 mm  
 Pay attention to the contact protection, when switching inductive or capacitive loads. Maximum data must not be exceeded!

