

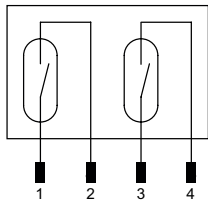
Magnetic switch - Set

Series MA-52

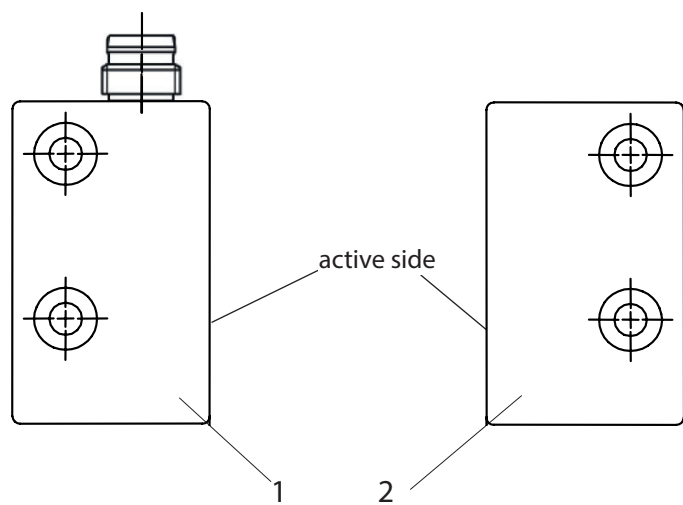
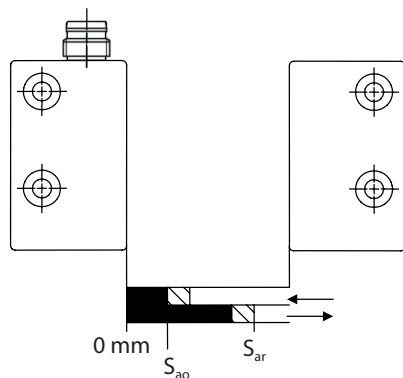
Type designation **MAGNETSCHALTERSET MA-52 CD M8**

Article number **6632300038**

Wiring diagram



Actuating direction / Operating distance

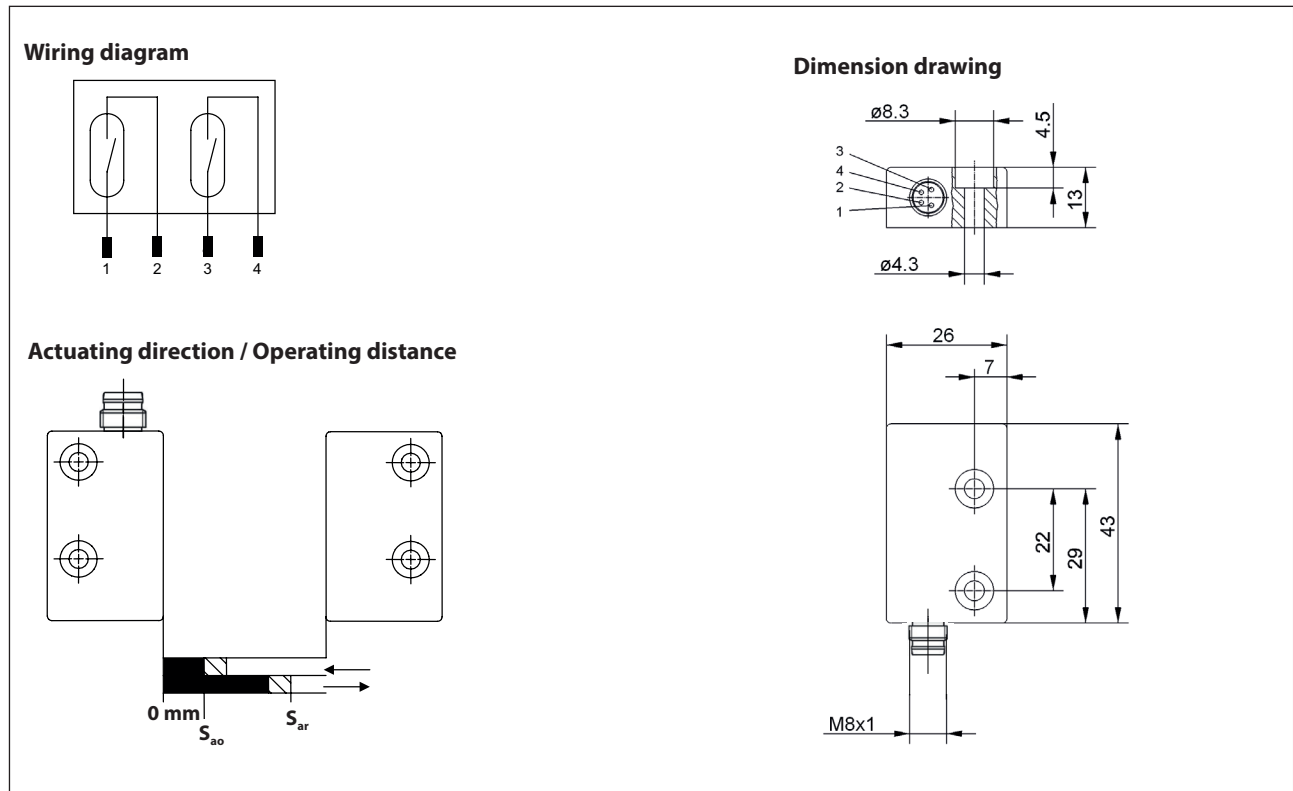


| Module | Type designation | Article number |
|-------------------|------------------|---------------------------|
| 1 Magnetic switch | MAK-5236-CD-M8 | 6490652357 (see page 2-3) |
| 2 Magnet | TK-52-CD/2 | 6402052067 (see page 4) |

Coded Magnetic Switch Series MAK-52

Description **MAK-5236-CD-M8**

Article number **6490652357**



| Technical data | | |
|----------------------------------|----------------------------|--|
| Switching function | 2x N.O. | |
| Reference magnet | TK-52-CD/2 (6402052067) | TK-52-CD/2 SN8 (6402052075) |
| Assured operating distance - ON | $S_{ao} \geq 3 \text{ mm}$ | $\geq 6 \text{ mm}$ |
| Assured operating distance - OFF | $S_{ar} \leq 9 \text{ mm}$ | $\leq 17 \text{ mm}$ |
| Repeat accuracy | R | $\pm 0,1 \text{ mm}$, under same geometrical conditions at the same temperature |
| Utilization category | DC-12 | |
| Frequency of operating cycles | f | 1 Hz |

| Electrical data | |
|---------------------------------------|---|
| Max. voltage | 30 V _{DC} |
| Max. switching current | 0,08 A |
| Max. switching capacity | 0,25 W |
| Protection class acc. to EN IEC 61558 | III (safety extra-low voltage) |
| Note | Combinations of switching voltage and switching current must not exceed the maximum switching capacity. |

| Mechanical data | |
|---------------------------------------|---|
| Enclosure | PBT, black; encapsulated reed contact |
| Tightening torque of fastening screws | 1,25 Nm ± 0,25 Nm |
| Temperature range | - 5 °C ... + 70 °C |
| Mechanical life | 3 x 10 ⁸ operating cycles |
| Vibration | 10 G (10 - 1200 Hz) |
| Shock | 10 G (11 ms, ½ Sinewave) |
| Protection type | IP67 acc. to EN 60529 (only in fully snapped-in position with it's plugs) |
| Pollution degree | 3 acc. to EN 60947-1 |
| Termination type | M8 Plug connector (snap-in and screw cap) |
| Assembly position | optional (assembly on ferromagnetic material means reduction of switch distance) |

| ID for safety engineering | |
|---------------------------|--|
| B10d | 20 x 10 ⁶ cycles (20 % load) 0,4 x 10 ⁶ cycles (nominal load) |
| Mission time | 20 years |

| Standards | |
|-----------|---|
| | DIN EN ISO 13849-1 |
| | EN 60947-5-3 |
| Note | The EN 60947-5-3 standard is only fulfilled by a complete system that consists of a coded magnetic switch with related actuator and suitable safety controller. |

| EG Conformity | |
|---------------|--|
| | acc. to directive 2006/42/EC (Safety-of-Machinery-Directive) |

| Approvals | |
|-----------|---|
| |  |
| | UL Listed, Ind. Cont. Eq. / Class 2 Power source |

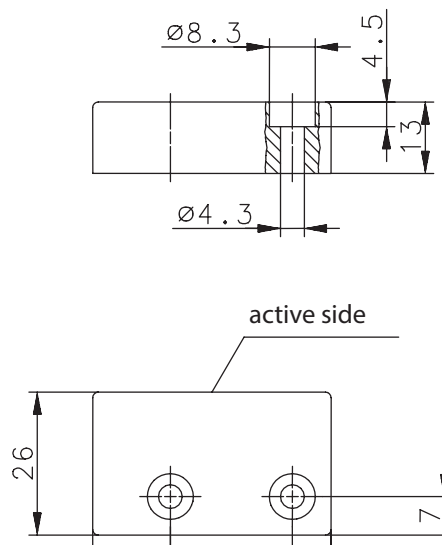
| Notes | |
|-------|---|
| | Contact protection must be provided for inductive and capacitive loads. |

Magnetic Switch

Coded switching magnet

Description **TK-52-CD/2**

Article number **6402052067**



Mechanical data

| | |
|-------------------------|--|
| Enclosure | PBT black (encapsulated magnets) |
| Magnet | Hartferrit |
| Ambient air temperature | -20 °C ... +80 °C |
| Application | Magnetic limit switch type MAx-5236-x |
| Installation position | operator definable |
| Pollution degree | 3 acc. to EN 60947-1 |

Approvals



UL Listed, Ind. Cont. Eq.