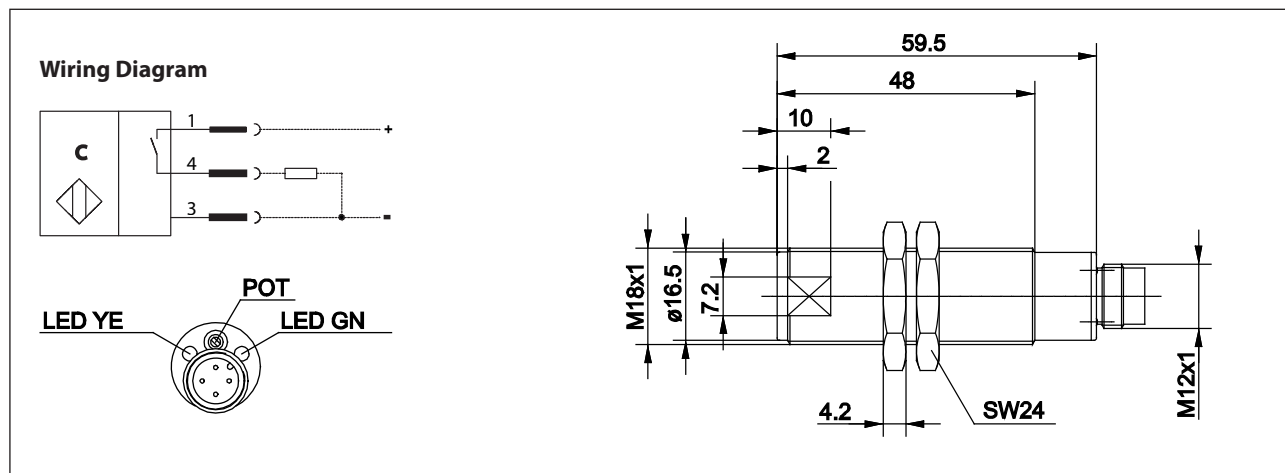


## Capacitive Proximity Switch Series T18

Description **KCN-T18PS/012-KLPS12V**

Article number **6607921942**



### Identifying characteristics in accordance with EN 60947-5-2

Electrical data	
Rated operating distance	$S_n$ 12 mm
Mounting	non flush
Standard target	50 mm x 50 mm, t=1 mm; material: steel; connected to earth
Effective operating distance	$S_r$ 11,5 ... 12,5 mm (potentiometer (POT) sealed)
Assured operating distance	$S_a$ $0 \leq S_a \leq 0,8 \times S_r$
Switching element function	Make function, pnp-output
Repeat accuracy	R $\leq 0,1 \times S_r$
Differential travel (hysteresis)	H $\leq 0,2 \times S_r$
Frequency of operating cycles	f $\approx 25$ Hz
Operational voltage range	$U_B$ 10 V - 36 V DC
Rated insulation voltage	$U_i$ 75 V DC
Rated impulse withstand voltage	$U_{imp}$ 500 V
Voltage drop	$U_d$ $\leq 2$ V
Rated operational current	$I_e$ 200 mA DC
Minimum operational current	$I_m$ 1 mA DC
Off-state current	$I_r$ $\leq 0,5$ mA DC
No-load supply current	$I_o$ $\leq 20$ mA
Switching element	permanent overload and s.c.p.
Short-circuit protection	pulsed
False polarity protection	with permutation of +, -, output no damage occurs
Time delay before availability	$t_v$ $\leq 50$ ms

<b>Electromagnetic compatibility (EMC)</b>	
Electromagnetic field test	IEC 61000-4-3
Electrostatic discharge test	IEC 61000-4-2
Electrical fast transient immunity test (Burst)	IEC 61000-4-4
Impulse voltage withstand ability (Surge)	IEC 61000-4-5
Radiated disturbance field strength	EN 55011

<b>Mechanical Data</b>	
Enclosure	PBT, black
End cap	PA6.6, black
Ambient air temperature	-25 °C ... +70 °C
Type of protection	IP65 (only in fully locked position with it's plugs)
Pollution degree	3 (Pollution of the optic can cause impairments of the operating distances.)
Indication	Power ON = LED green Output ON = LED yellow
Termination type	plug socket
For attachment	2 x Hexagon nut (PA6.6, black)

<b>EU Conformity</b>	
acc. to directive 2004 / 108 / EC	

<b>Notes</b>
When setting the switching distance the measuring plate, the measuring device and the negative terminal of the voltage source are grounded. The distance between chuck and front side of the switch is 25 mm.