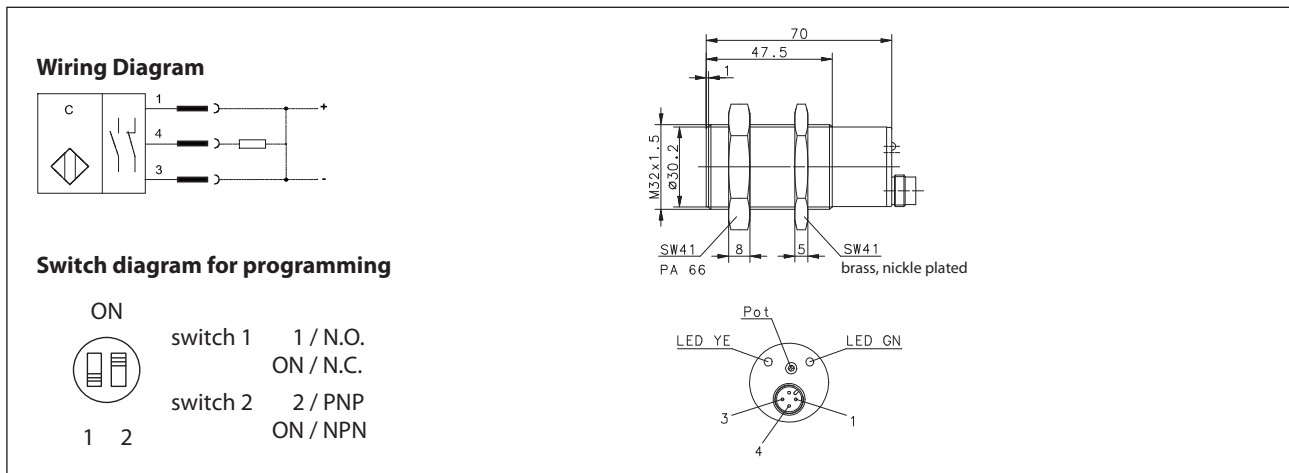


Capacitive Proximity Switch Series M32

Description **KCB-M32DP/015-KLPS12**

Article number **6607013404**



Identifying characteristics in accordance with EN 60947-5-2

| Electrical data | | |
|----------------------------------|-----------|--|
| Rated operating distance | S_n | 12 mm |
| Mounting | | flush |
| Standard target | | 45 x 45 x 1 mm; material: steel; connected to earth |
| Effective operating distance | S_r | 3-15 mm; S_r adjustable with potentiometer (POT); turn right \triangleq high sensitivity, turn left \triangleq low sensitivity |
| Assured operating distance | S_a | $0 \leq S_a \leq 0,8 \cdot S_r$ |
| Switching element function | | DC Push-pull circuit, N.O. / N.C. programmable |
| Repeat accuracy | R | $\leq 10 \%$ |
| Differential travel (hysteresis) | H | $\leq 20 \%$ |
| Frequency of operating cycles | f | ≈ 25 Hz |
| Rate doperational voltage | U_e | 12 V - 48 V DC |
| Operational voltage range | U_B | 10 V - 60 V DC |
| Rated insulation voltage | U_i | 75 V DC |
| Rated impulse withstand voltage | U_{imp} | 500 V |
| Voltage drop | U_d | ≤ 3 V DC |
| Utilization category | | DC-12 |
| Rated operational current | I_e | 400 mA DC |
| Minimum operational current | I_m | 1 mA DC |
| Off-state current | I_r | $\leq 0,5$ mA DC |
| No-load supply current | I_o | ≤ 20 mA DC |
| Switching element | | permanent overload and s.c.p. |
| Short-circuit protection | | pulsed |
| False polarity protection | | with permutation of +, -, output no damage occurs |
| Time delay before availability | t_v | ≤ 50 ms |

| Electromagnetic compatibility (EMC) | | |
|---|---------------|--|
| Electromagnetic field test | IEC 61000-4-3 | 3 V/m, 80...1000 MHz |
| Electrostatic discharge test | IEC 61000-4-2 | 4 kV CD / 8 kV AD |
| Electrical fast transient immunity test (Burst) | IEC 61000-4-4 | 1kV coupling clamp |
| Impulse voltage withstand ability (Surge) | IEC 61000-4-5 | 500 V, 1,2/50 μ s @ Ri = 42 Ω |
| Radiated disturbance field strength | EN 55011 | \leq 40 dB (μ V/m) |

| Mechanical Data | |
|-------------------------|--|
| Enclosure | Brass, nickel plated |
| Front cap | PTFE |
| End cap | PA6.6 |
| Ambient air temperature | -25 °C ... +70 °C |
| Type of protection | IP65 (with connected socket) |
| Pollution degree | 3 (Pollution of the active zone can cause impairments of the operating distances.) |
| Indication | Output ON = LED yellow Power ON: LED = green |
| Termination type | Plug connector M12 x 1 |
| For attachment | 2 x Hexagon nut, 1 x PA66, 1 x brass, nickel plated |

| EU Conformity | |
|--|--|
| acc. to directive 2014/30/EU (EMC-Directive) | |