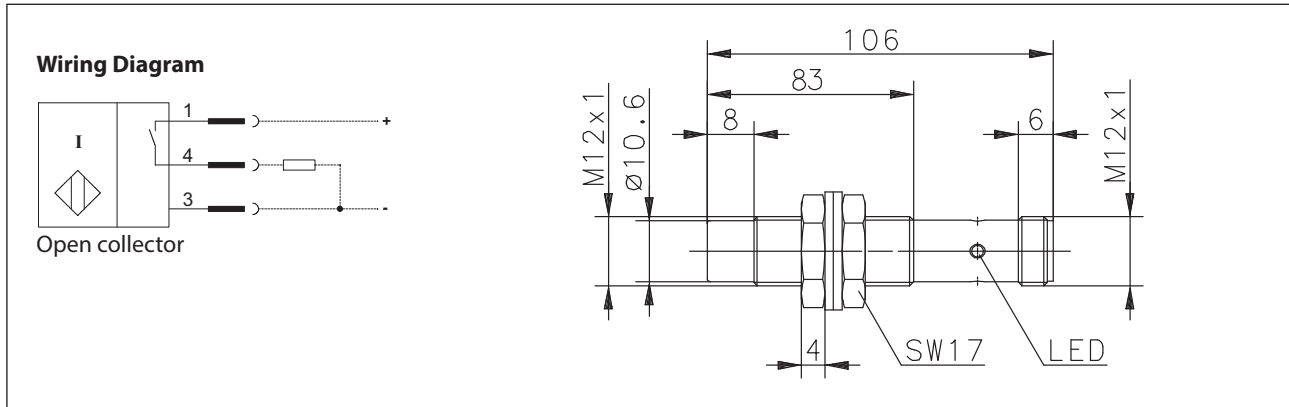


## Inductive Proximity Switch Series M12

Description **KIN-M12PS/008-KLS12E**

Article number **6602944936**



### Identifying characteristics in accordance with EN 60947-5-2

Electrical data		
Rated operating distance	$S_n$	8 mm
Standard target		24 mm x 24 mm, t = 1 mm, material: FE360
Real sensing distance	$S_r$	7,2 ... 8,8 mm
Assured operating distance	$S_a$	0 ... 6,4 mm
Switching element function		DC, N.O.
Repeat accuracy	R	≤ 5 %
Differential travel (hysteresis)	H	≈ 10 %
Rated operational voltage	$U_e$	12 – 24 V DC
Operational voltage range	$U_B$	10 - 36 V DC
Rated insulation voltage	$U_i$	75 V DC
Rated impulse withstand voltage	$U_{imp}$	500 V
Voltage drop	$U_d$	≤ 1,5 V
Utilization category		DC 13
Rated operational current	$I_e$	≤ 200 mA
Off-state current	$I_r$	< 0,3 mA
No-load supply current	$I_o$	< 8 mA
Switching element		Permanent overload and s.c.p.
Short-circuit protection		pulsed
Frequency of operating cycles	f	400 Hz
Mounting		non flush
False polarity protection		yes
Time delay before availability	$t_v$	< 50 ms

<b>Electromagnetic compatibility (EMC)</b>	
Electromagnetic field test	IEC 61000-4-3
Electrostatic discharge test	IEC 61000-4-2
Electrical fast transient immunity test	IEC 61000-4-4
Radiated disturbance field strength	EN 55011

<b>Mechanical Data</b>	
Front cap	PBT, black
Enclosure	Brass, nickel plated
Ambient air temperature	-25 °C ... +70 °C
Type of protection	IP67 (only in fully locked position with it's plugs)
Degree of pollution	3 (pollution of the active region, there can may be a deterioration of the operating distance)
Indication	LED, yellow
Termination type	Plug connection
For attachment	2 x hexagon nut 2 x toothed washer

<b>EU Conformity</b>	
	acc. to directive 2004 / 108 / EC