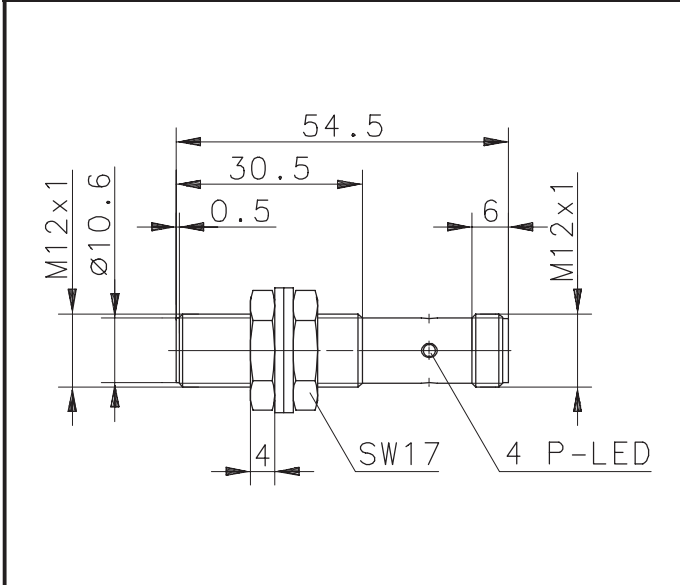


Data Sheet

Inductive Proximity Sensor

| | | |
|-----------------------------------|-------------------------------|---------------|
| Type: KIB-M12PS/004-KLS12E | Art.-No.: 660.2943.350 | 30.11.99/1163 |
|-----------------------------------|-------------------------------|---------------|



| General Features | |
|--------------------------------------------|------------------------------|
| housing | brass, nickel plated |
| protection | IP 67; NEMA 4 ¹⁾ |
| operating temperature | -25°C to 70°C |
| termination type | plug socket |
| protection against reverse supply polarity | |
| max. transient voltage rate | 1000 V for 1 ms at Ri = 1 kΩ |
| permanent overload and s.c.p. | |
| indication | LED |

Options / Comments

¹⁾ only in fully locked position with it's plugs

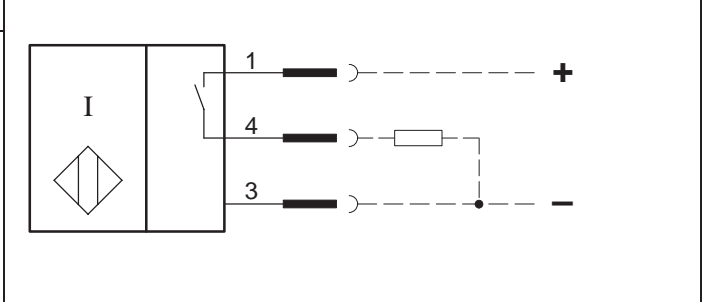
Electrical Output

Make (normally open)

PNP

The sensor switches the load to the positive terminal.

Wiring Diagram:



| Characteristics | | | Remarks |
|--------------------------------|-------|----------------|------------------------|
| rated operating distance | s_n | 4 mm | $s_r = s_n \pm 10\%$ |
| assured operating distance | s_a | 0 ... 3,2 mm | |
| mounting | | flush | |
| rated operational voltage | U_e | 12 – 24 V DC | |
| operational voltage range | U_B | 10 – 30 V DC | incl. ripple frequency |
| rated operational current | I_e | ≤ 200 mA | |
| off-state current | I_R | $< 0,1$ mA | |
| non-load supply current | I_o | < 11 mA | |
| voltage drop | U_d | $\leq 1,5$ V | at conductive load |
| hysteresis | H | $\approx 10\%$ | relative to s_r |
| repeat accuracy | R | $\leq 5\%$ | |
| time delay before availability | t_v | ≤ 50 ms | |
| frequency of operating cycles | f | 800 Hz | |