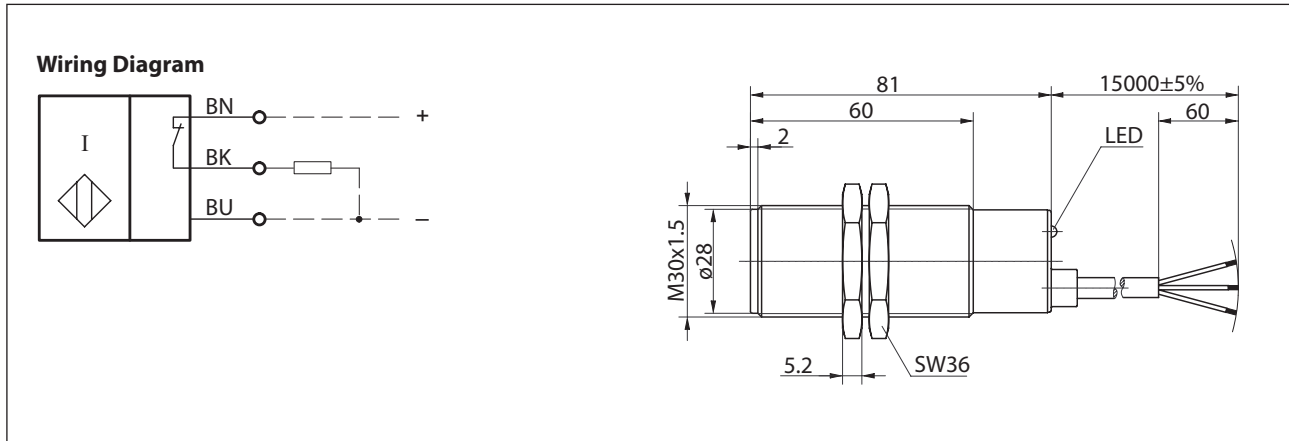


Inductive Proximity Switch Series M30

Description **KIB-T30PÖ/010-KL15**

Article number **6602722075**



Identifying characteristics in accordance with EN 60947-5-2

Electrical data		
Rated operating distance	S_n	10 mm
Standard target		30 mm x 30 mm, t = 1 mm; Material: FE360
Real sensing distance	S_r	9,0 ... 11,0 mm
Assured operating distance	S_a	0 ... 8,1 mm
Switching element function		N.C., DC
Repeat accuracy	R	≤ 5 %
Differential travel (hysteresis)	H	≈ 10 %
Operational voltage range	U_B	10 - 60 V DC
Rated insulation voltage	U_i	75 V DC
Rated impulse withstand voltage	U_{imp}	500 V
Voltage drop	U_d	≤ 2,5 V
Utilization category		DC-13
Rated operational current	I_e	200 mA
Minimum operating current	I_m	1 mA
Off-state current	I_r	< 0,1 mA
No-load supply current	I_o	< 8 mA
Switching element		Permanent overload and s.c.p.
Short-circuit protection		pulsed
Frequency of operating cycles	f	300 Hz
Mounting		flush
False polarity protection		yes
Time delay before availability	t_v	≤ 50 ms

Mechanical Data	
Enclosure	PA 6, red
Endcap	PA 12, black
Ambient air temperature	-25 °C ... +70 °C
Type of protection	IP67
Degree of pollution	3 (pollution of the active region, there can may be a deterioration of the operating distance)
Indication	LED yellow
Termination type	Cable 3 x 0,5 mm ² x 15 m, PVC - Outer jacket, black
For attachment	2 x hexagon nut

EU Conformity	
	acc. to directive 2014/30/EU (EMC-Directive)