

Technical Data

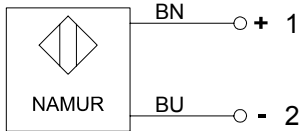
Inductive Proximity Switch - Namur

Series M08

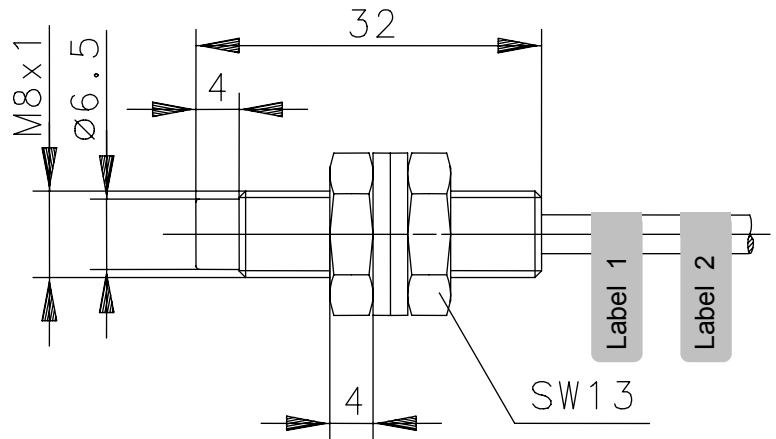
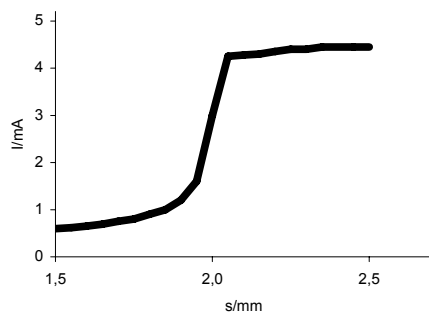
Description **KIN-M08EA/002-1,2S**

Article number **6601601701**

Wiring Diagram



Current Characteristics



Identifying characteristics in accordance with EN 60947-5-6

Electrical data

Mounting		non flush
Rated operating distance	S_n	2mm (switching point 1,5mA @ $U_n = 8V$ and $R_i = 1k\Omega$)
Repeat accuracy	R	< 5%
Standard target		18 x 18mm, t=1mm; material: FE
Rated voltage	U_n	DC 8V
Rated operational voltage	U_e	DC 5 ... 25V
Ripple		≤ 5%
Current input	I	> 3,5mA ($U_n = 8V$ and $R_i = 1k\Omega$) sensing face free < 1mA ($U_n = 8V$ and $R_i = 1k\Omega$) sensing face damping
Frequency of operating cycles	f	≈ 1kHz
Self-inductance	L_i	30μH
Self-capacitance	C_i	55nF

Mechanical Data

Ambient air temperature		-25°C ... +70°C
Type of protection		IP67
Vibratory stresses		10-55Hz, a=1mm
Shock resistance		30g, $t_{stoss}=11ms$
Front cap		PA6.6, blue
Enclosure		stainless steel (Niro 1.4305)
Termination type		Cable 2 x 0,34mm ² x 1,2m ±5%; PVC - Outer jacket, black with connector Tyco Superseal 1,5 Nr. 282.104-1 and dust protection cap (FTM)
For attachment		2 x hexagon nut and 2 x toothed washer
Labelling		1) Bernstein, 2) Rauch (2055638)

EU Conformity

CE

EMV

according to EN 60947-5-2

This document will not become the contractual basis; the details included herein do not constitute any descriptions of expected conditions, so that warranties/claims for defects on account of possible variations of the actual qualities from the qualities described herein are explicitly excluded. All rights reserved. Specifications subject to change without notice!

Date of issue: 21.02.2007 / Page 1 of 1
Document : 6601601701_en.doc / Last update: 2 / 0113-07