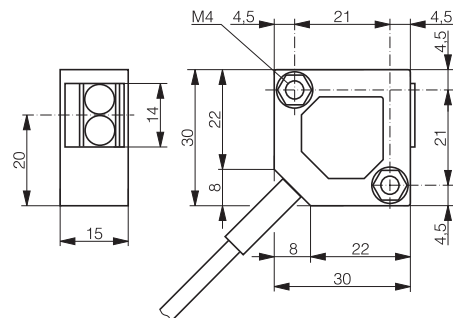
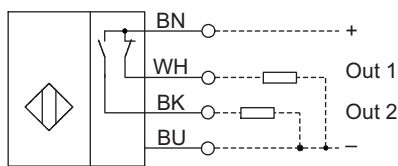


Photoelectric Sensors Series OR05

Description **OR05RT-DATP-01.2-3DE**

Article number **6557875003**

Wiring Diagram



Identifying characteristics in accordance with EN 60947-5-2

Electrical data		
Sensing range	S_n	1200 mm (Kodak white card 150 x 150 mm ²)
Switching element function		PNP, antivalent
Repeat accuracy	R	≤ 10 %
Differential travel (hysteresis)	H	≤ 10 %
Operational voltage range	U_B	10 - 36 V DC
Rated insulation voltage	U_i	75 V DC
Rated impulse withstand voltage	U_{imp}	500 V
Voltage drop	U_d	≤ 2,0 V
Utilization category		DC 12
Rated operational current	I_e	200 mA
Off-state current	I_r	≤ 0,1 mA
No-load supply current	I_o	< 15 mA
Ambient light proof		> 5 kLux
Sensitivity setting		Potentiometer
Short-circuit protection		built-in
Frequency of operating cycles	f	≤ 1000 Hz
False polarity protection		yes
Time delay before availability	t_v	100 ms
Switching time		≤ 0,5 ms

Electromagnetic compatibility (EMC)		
Electromagnetic field test	IEC 61000-4-3	Level 3
Electrostatic discharge test	IEC 61000-4-2	Level 2
Electrical fast transient immunity test	IEC 61000-4-4	Level 3
Radiated disturbance field strength	IEC 60947-5	1 kV

Mechanical Data	
Beam-output	Glass
Enclosure	PBT
Operating temperature	-25 °C ... +55 °C
Type of protection	IP67
Degree of pollution	3 (Pollution of the active zone can cause impairments of the operating distances.)
Indication output state	LED yellow
excess-gain indication	LED green
Termination type	Cable 4 x 0,14 mm ² x 3 m ± 5 %; PVC – Outer jacket, grey
For attachment	2 x hexagon nut

EU Conformity
acc. to directive 2004 / 108 / EC