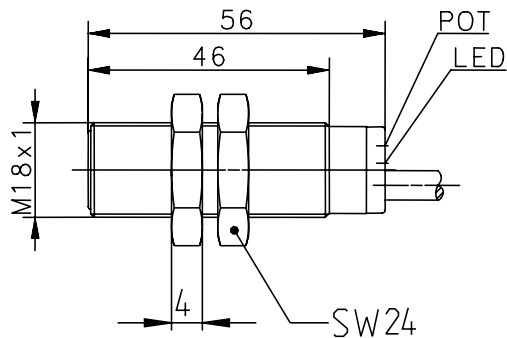
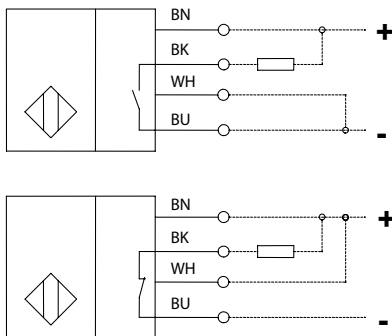


## Photoelectric Sensors Series M18

Description **OM18RT-DPTN-0500-CLE**

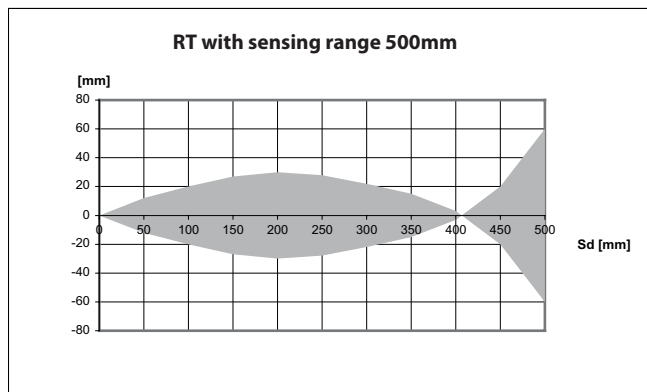
Article number **6557217003**

### Wiring Diagram



With the CTRL. wire WH output function is programmable. The change of the output function comes into effect after switching on the supply voltage.  
A not connected WH wire (e.g. connector type) occurs in a N.O. function.  
WH must be connected, if it is 4-wired cable, depending on the output function.  
The Sensor usually is light active.

### Typical sensing range



## Identifying characteristics in accordance with EN 60947-5-2

Electrical data		
Sensing range	$S_d$	500 mm (Target white 200 mm x 200 mm)
Switching element function		programmable (L.A. / D.A.), permanent overload protection
Repeat accuracy	R	$\leq 10 \%$
Differential travel (hysteresis)	H	$\leq 15 \%$
Operational voltage range	$U_b$	10-36 V DC
Rated insulation voltage	$U_i$	75 V DC
Rated impulse withstand voltage	$U_{imp}$	500 V
Voltage drop	$U_d$	$\leq 2$ V
Utilization category		DC-13 @ $I_e = 50$ mA and $U_e = 33$ V DC
Minimum operational current	$I_m$	1 mA
Off-state current	$I_r$	$\leq 0,1$ mA
No-load supply current	$I_o$	$\leq 15$ mA
Max. rated output current		200 mA
Ambient light proof		10 kLux
Short-circuit protection		pulsed
Frequency of operating cycles	f	500 Hz
False polarity protection		yes
Time delay before availability	$t_v$	50 ms
Turn on time	$t_{on}$	1 ms

Electromagnetic compatibility (EMC)		
Electromagnetic field test	IEC 61000-4-3	3 V/m
Electrostatic discharge test	IEC 61000-4-2	8 kV
Electrical fast transient immunity test (Burst)	IEC 61000-4-4	2 kV, coupling clamp
Impulse voltage withstand ability (Surge)	IEC 61000-4-5	500 V, 1,2/50 $\mu$ s @ $R_i = 42 \Omega$
Radiated disturbance field strength	EN 55011	$\leq 40$ dB ( $\mu$ V/m)

Mechanical Data	
Enclosure	brass, nickle plated
End cap	PA66, black
Front cap	PA12
Ambient air temperature	-20 °C ... +70 °C
Type of protection	IP67
Pollution degree	3 (Pollution of the optic can cause impairments of the operating distances.)
Indication	Output LED yellow; Transmitter LED green
Termination type	Cable 4 x 0,34 mm <sup>2</sup> x 2 m, PVC - Outer jacket, black
For attachment	2 x hexagon nut, brass

EU Conformity
acc. to directive 2014/30/EU (EMC-Directive)