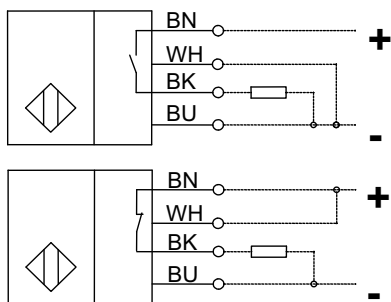


Photoelectric Sensors Series M18

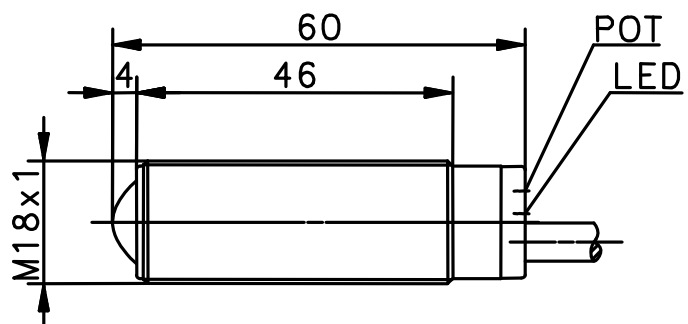
Description **OT18PS-DPTP-02.5-CLE**

Article number **6555819003**

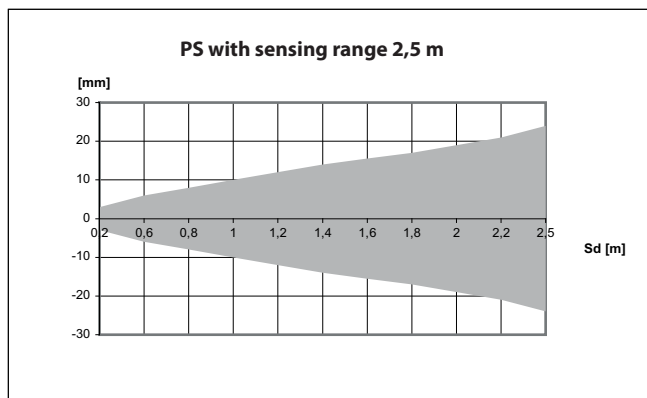
Wiring Diagram



with mounted reflector



Typical sensing range



Identifying characteristics in accordance with EN 60947-5-2

Electrical data		
Sensing range	S_d	2,5 m (Reflector Ø 80 mm)
Switching element function		programmable (L.A. / D.A.), permanent overload protection
Repeat accuracy	R	≤ 10 %
Differential travel (hysteresis)	H	≤ 15 %
Operational voltage range	U_b	10-36 V DC
Rated insulation voltage	U_i	75 V DC
Rated impulse withstand voltage	U_{imp}	500 V
Voltage drop	U_d	≤ 2 V
Utilization category		DC-13 @ $I_e = 50$ mA and $U_e = 33$ V DC
Minimum operational current	I_m	1 mA
Off-state current	I_r	≤ 0,1 mA
No-load supply current	I_o	≤ 15 mA, (transmitter ≤ 25 mA)
Max. rated output current		200 mA
Ambient light proof		10 kLux
Short-circuit protection		pulsed
Frequency of operating cycles	f	500 Hz
False polarity protection		yes
Time delay before availability	t_v	50 ms
Turn on time	t_{on}	1 ms

Electromagnetic compatibility (EMC)		
Electromagnetic field test	IEC 61000-4-3	3 V/m
Electrostatic discharge test	IEC 61000-4-2	8 kV
Electrical fast transient immunity test (Burst)	IEC 61000-4-4	2 kV
Impulse voltage withstand ability (Surge)	IEC 61000-4-5	500 V, 1,2/50 μ s @ $R_i = 42 \Omega$
Radiated disturbance field strength	EN 55011	≤ 40 dB (μ V/m)

Mechanical Data	
Enclosure	PBT, black
End cap	PA66, black
Plain front type	Glas lens
Ambient air temperature	-20 °C ... +70 °C
Type of protection	IP67
Pollution degree	3 (Pollution of the optic can cause impairments of the operating distances.)
Indication	LED yellow, Sender LED green
Termination type	Cable 4 x 0,34 mm ² x 2 m, PVC - Outer jacket, black
For attachment	Hexagonal / knurled nut, PA

EU Conformity
acc. to directive 2014/30/EU (EMC-Directive)