

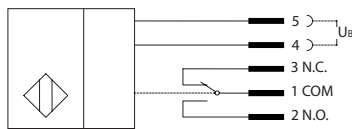
# Photoelectric Sensors

## Series OR20

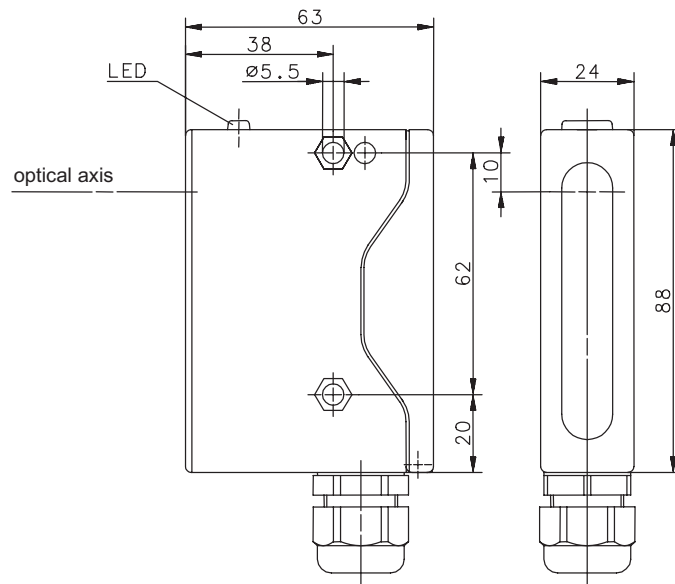
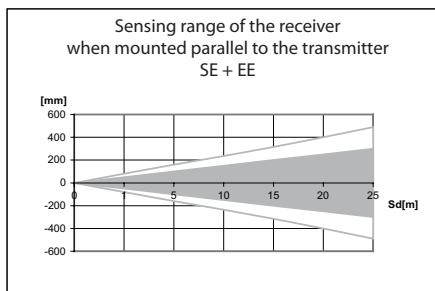
Description **OR20EE-MAR5-20.0-ALET**

Article number **6551686004**

### Wiring Diagram

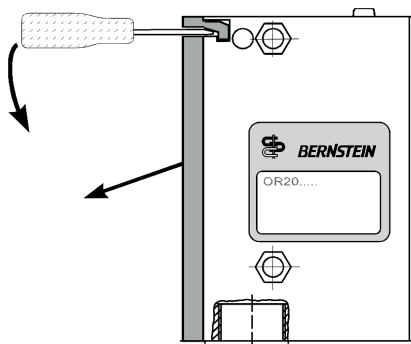


### Sensing range



### Instruction

#### Snap lock-cover



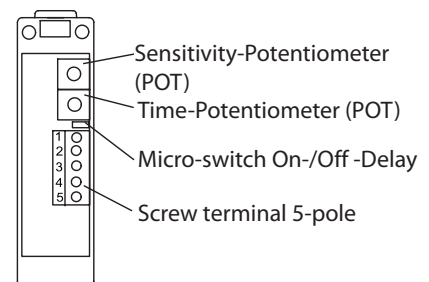
Place screwdriver into slot in rear cover. Press down on screwdriver handle, at the same time as levering the cover open.

#### Screw-cap enclosure



Cover with 2 screws for fixing. Enclosure with M16x1,5 cable gland.

#### Control elements



Identifying characteristics in accordance with EN 60947-5-2

| Electrical data                  |           |   |
|----------------------------------|-----------|---|
| Sensing range                    | $S_d$     | EE 20 m (adjustable)  |
| Transmitter                      |           | Infrared 880 nm   |
| Switching element function       |           | Relay, change over contact  |
| Repeat accuracy                  | R         | $\leq 10 \%$  |
| Differential travel (hysteresis) | H         | $\approx 10 \%$   |
| Operational voltage range        | $U_B$     | 12-265 V AC/DC, 50/60 Hz  |
| Rated insulation voltage         | $U_i$     | 250 V   |
| Rated impulse withstand voltage  | $U_{imp}$ | 1500 V  |
| Utilization category             |           | AC-140  |
| Minimum operational current      | $I_m$     | 1 mA  |
| Off-state current                | $I_r$     | $\leq 0,1$ mA   |
| No-load supply current           | $I_o$     | $< 30$ mA (activated), $< 10$ mA (not activated); $U_B = 24$ V DC |
| Max. rated output current        |           | 3 A at 230 V AC   |
| Ambient light proof              |           | 10 kLux   |
| Short-circuit protection         |           | External SCPD: 3 A slow-blow fuse                                 |
| Frequency of operating cycles    | f         | $> 50$ Hz   |
| Rated supply frequency           |           | 50-60 HZ  |
| False polarity protection        |           | yes   |
| Time delay before availability   | $t_v$     | $< 60$ ms   |
| Turn on time                     | $t_{on}$  | $\leq 10$ ms  |
| On-Delay                         |           | 0 ... 10s (selectable, adjustable with potentiometer)             |
| Off-Delay                        |           | 0 ... 8s (selectable, adjustable with potentiometer)              |

| Mechanical Data         |  |
|-------------------------|--|
| Enclosure               | PA 6.6, red  |
| Cover                   | PA 6.6, black  |
| Beam-output             | PA 12  |
| Ambient air temperature | $-20$ °C ... $+70$ °C  |
| Type of protection      | IP65 (only with it's mounted cable gland and cable)  |
| Pollution degree        | 3 (Pollution of the optic can cause impairments of the operating distances.)   |
| Indication              | LED yellow   |
| Termination type        | Screw-type terminals (5-pole);<br>Cable cross-section: single core $0,2$ mm <sup>2</sup> ... $4$ mm <sup>2</sup> ,<br>multi strand $0,2$ mm <sup>2</sup> ... $2,5$ mm <sup>2</sup><br>Cable gland M16x1,5: cable with outer diameter $\varnothing$ 5-10 mm |

| EU Conformity                                |
|--|
| acc. to directive 2014/30/EU (EMC-Directive) |