

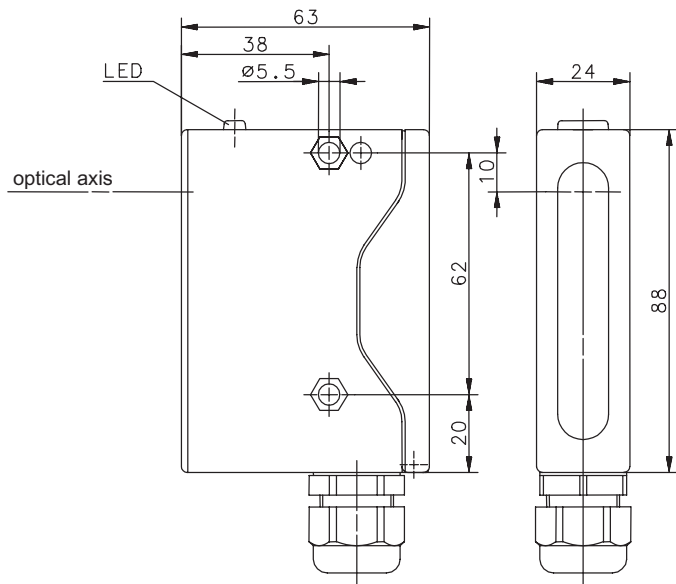
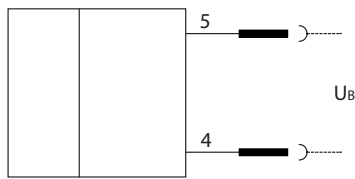
Photoelectric Sensors

Series OR20

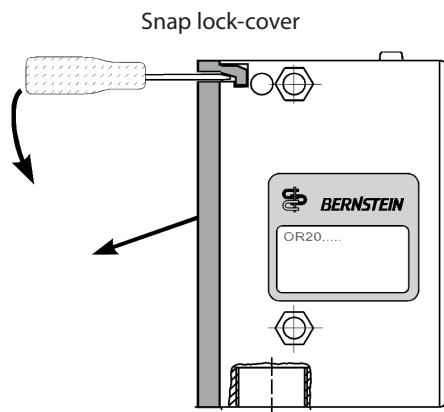
Description **OR20SE-MOOS-20.0-AV**

Article number **6551086002**

Wiring Diagram



Instruction



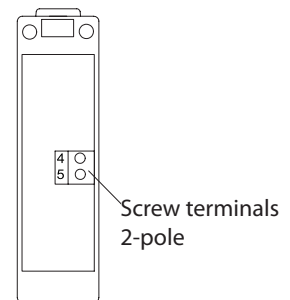
Place screwdriver into slot in rear cover.
Press down on screwdriver handle, at the same time as levering the cover open.

Screw-cap enclosure



Cover with 2 screws for fixing.
Enclosure with M16x1,5 cable gland.

Control element



Identifying characteristics in accordance with EN 60947-5-2

| Electrical data | | |
|--------------------------------|-------|----------------------------|
| Switching element function | | Through – beam transmitter |
| Transmitter | | Infrared 880 nm |
| Operational voltage range | U_B | 12-265 V AC/DC, 50/60 HZ |
| No-load supply current | I_o | ≤ 25 mA |
| Time delay before availability | t_v | 60 ms |

| Mechanical Data | |
|---------------------|--|
| Enclosure | PA 6.6, red |
| Cover | PA 6.6, black |
| Beam-output | PA 12 |
| Ambient temperature | -20 °C ... +70 °C |
| Type of protection | IP65 (only with it's mounted cable gland and cable) |
| Pollution degree | 3 (Pollution of the optic can cause impairments of the operating distances.) |
| Indication | LED green |
| Termination type | Screw-type terminals (2-pole); Cable cross-section: single core 0,2 mm ² ... 4 mm ² , multi strand 0,2 mm ² ... 2,5 mm ² Cable gland M16x1,5: cable with outer diameter Ø 5-10 mm |

| EU Conformity | |
|---------------|--|
| | acc. to directive 2014/30/EU (EMC-Directive) |