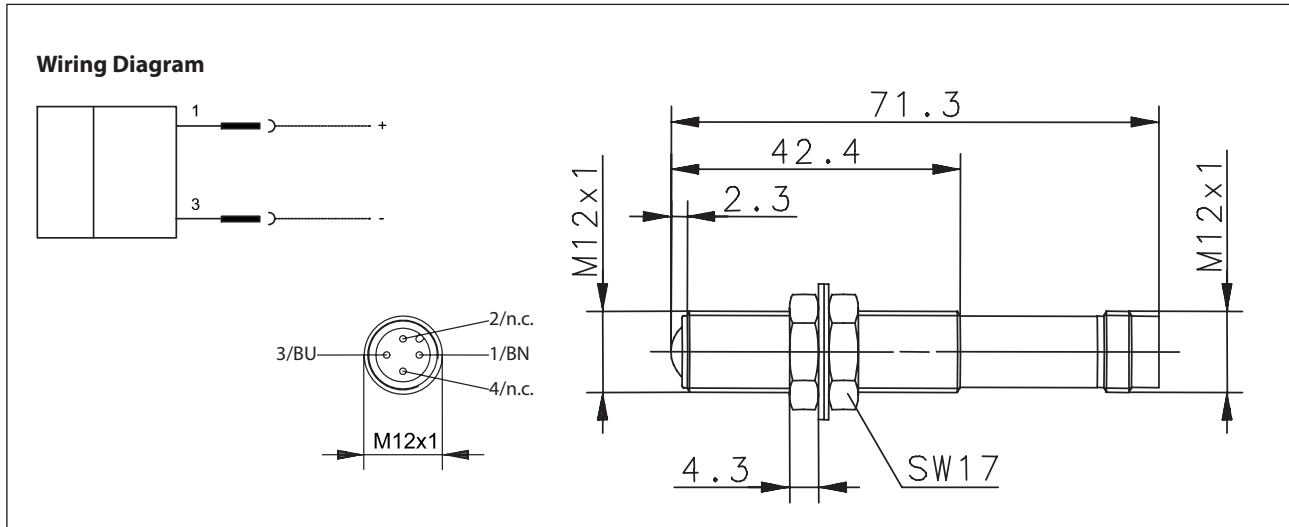


Photoelectric Sensors Series OT12

Description **OT12SE-DOOS-06.0-5**

Article number **6551029001**



Identifying characteristics in accordance with EN 60947-5-2

Electrical data		
Switching element function		Through – beam transmitter
Transmitter		Infrared 880 nm
Operational voltage range	U_B	10-36 V DC
No-load supply current	I_o	≤ 25 mA
Time delay before availability	t_v	50 ms

Mechanical Data	
Enclosure	PA 6.6, red
Beam-output	PA 12 lens
Ambient air temperature	-20 °C ... +70 °C
Type of protection	IP67 (with screwed plug-in-connector)
Pollution degree	3 (Pollution of the optic can cause impairments of the operating distances.)
Indication	LED green
Termination type	Plug socket M12 x 1, PA
For attachment	Hexagon nut; PA 6.6, black (with washers PEBUNAN)

EU Conformity
acc. to directive 2014/30/EU (EMC-Directive)