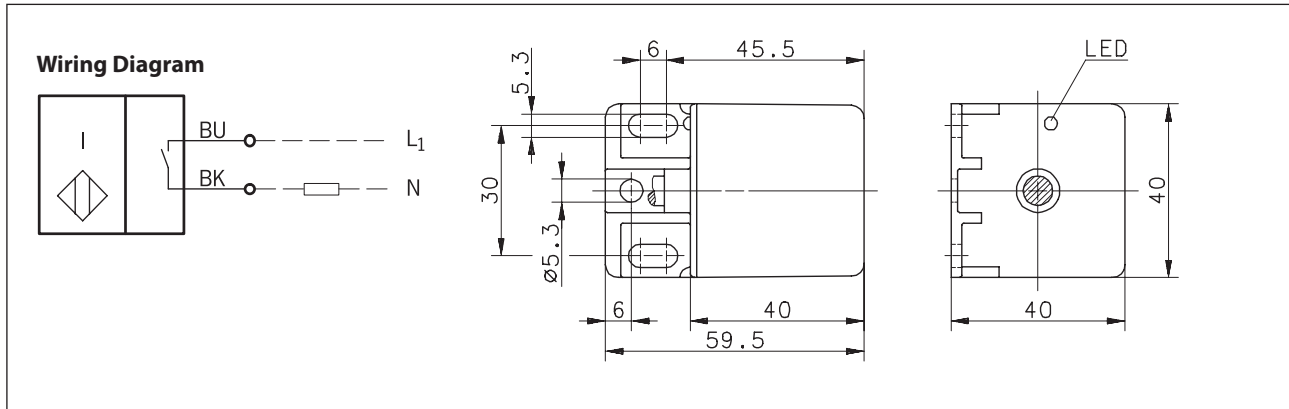


Inductive Proximity Switch Series N40

Description **KIN-N40AS/015-L3**

Article number **6503581002**



Identifying characteristics in accordance with EN 60947-5-2

Electrical data		
Rated operating distance	S_n	15 mm
Standard target		45 mm x 45 mm, t = 1 mm; Material: FE360
Real sensing distance	S_r	13,5 ... 16,5 mm
Assured operating distance	S_a	0 ... 12,1 mm
Switching element function		AC, N.O.
Repeat accuracy	R	≤ 5 %
Differential travel (hysteresis)	H	≈ 10 %
Operational voltage range	U_B	25-250 V AC
Rated insulation voltage	U_i	250 V AC
Voltage drop	U_d	≈ 10 V
Utilization category		AC-140
Rated operational current	I_e	500 mA
Off-state current	I_r	< 2 mA
Short time current	I_k	3 A
Short-circuit protection		without
Rated supply frequency	f	45 ... 65 Hz
Frequency of operating cycles	f	≈ 10 Hz
Mounting		non flush
False polarity protection		reserve polarity protection
Time delay before availability	t_v	≤ 100 ms
Protection class	t_v	II, totally insulated

Mechanical Data	
Enclosure	PA 6, red/black
Ambient air temperature	-25 °C ... +70 °C
Type of protection	IP67
Pollution degree	3 (Pollution of the active zone can cause impairments of the operating distances.)
Indication	LED yellow
Termination type	Cable 2 x 0,5 mm ² x 3 m; PVC-Outer jacket, black

EU Conformity	
acc. to directive 2014/30/EU (EMC-Directive)	