

# Technical Data

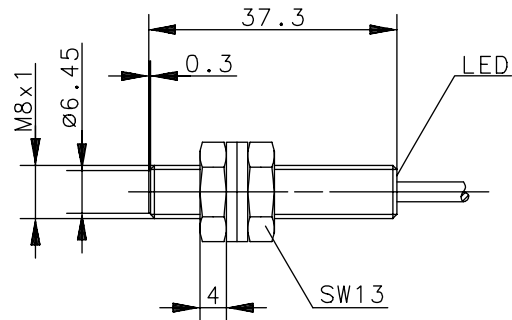
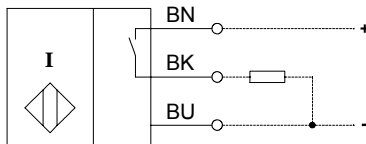
## Inductive Proximity Switch

### Series M8

Description **KIB-M08PS/1,5-KL2T**

Article number **6502901008**

### Wiring Diagram



### Identifying characteristics in accordance with EN 60947-5-2

#### Electrical data

Rated operating distance	$S_n$	1,5mm
Standard target		8 x 8mm, t=1mm; material: FE360
Effective operating distance	$S_r$	1,4 ... 1,7mm
Assured operating distance	$S_a$	0 ... 1,2mm
Switching element function		DC, N.O.
Repeat accuracy	R	≤ 5%
Differential travel (hysteresis)	H	≤ 0,2 x $S_r$
Bemessungsbetriebsspannung	$U_e$	12 – 24V DC
Operational voltage range	$U_B$	10 – 36V DC
Rated insulation voltage	$U_i$	75V DC
Rated impulse withstand voltage	$U_{imp}$	500V
Voltage drop	$U_d$	≤ 2V (add. 0,06V per m cable and 200mA Load at 20°C)
Utilization category		DC 13
Rated operational current	$I_e$	See page 2, characteristic curve
Minimum operational current	$I_m$	≤ 1mA
Off-state current	$I_r$	< 0,3mA
No-load supply current	$I_o$	≤ 14mA
Rated conditional short-circuit current		100A
Switching element		Permanent overload and s.c.p.
Short-circuit protection		pulsed
Frequency of operating cycles	f	1000Hz
Rated supply frequency		DC
Mounting		flush
False polarity protection		yes
Time delay before availability	$t_v$	< 50ms

This document will not become the contractual basis; the details included herein do not constitute any descriptions of expected conditions, so that warranties/claims for defects on account of possible variations of the actual qualities from the qualities described herein are explicitly excluded. All rights reserved. Specifications subject to change without notice!

Date of issue: 02.05.2007 / Page 1 of 2  
Document : 6502901008\_en.doc / Last update: 1 / 0204-07

# Technical Data

## Inductive Proximity Switch

### Electromagnetic compatibility (EMC)

Electromagnetic field test	IEC 61000-4-3
Electrostatic discharge test	IEC 61000-4-2
Electrical fast transient immunity test	IEC 61000-4-4
Radiated disturbance field strength	EN 55011

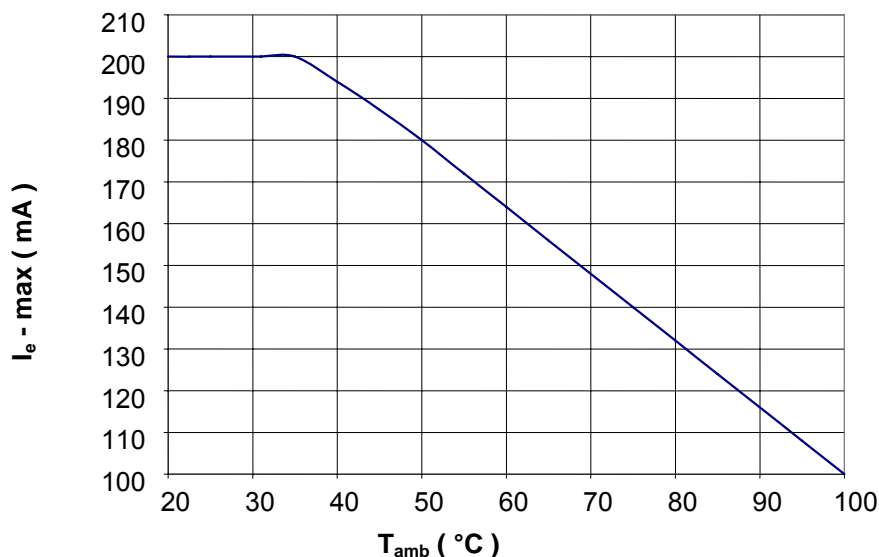
### Mechanical Data

Front cap	PA 6, black
Enclosure	stainless steel (Niro 1.4305)
Ambient air temperature (movable condition)	-5°C ... +90°C
(unmovable condition)	-40°C ... +100°C
Type of protection	IP67
Pollution degree	3 (Pollution of the active zone can cause impairments of the operating distances.)
Indication	LED, yellow
Termination type	Cable 3 x 0,14mm <sup>2</sup> x 2m ±5%; PVC-Outer jacket, black
For attachment	2 x hexagon nut an (tightening torque: 8 Nm), 2 x toothed washer

### EU Conformity



### Characteristic curve $I_e \text{ max.} - T_{\text{amb.}}$



This document will not become the contractual basis; the details included herein do not constitute any descriptions of expected conditions, so that warranties/claims for defects on account of possible variations of the actual qualities from the qualities described herein are explicitly excluded. All rights reserved. Specifications subject to change without notice!