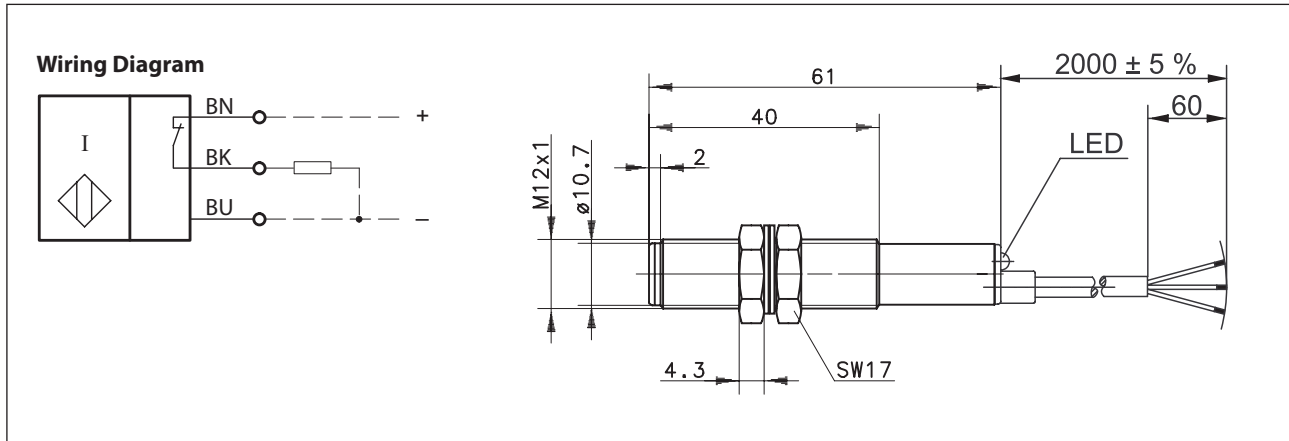


## Inductive Proximity Switch Series M12

Description **KIB-T12PÖ/002-KL2**

Article number **6502719002**



### Identifying characteristics in accordance with EN 60947-5-2

Electrical data		
Rated operating distance	$S_n$	2 mm
Standard target		12 mm x 12 mm, t = 1 mm, material: FE360
Real sensing distance	$S_r$	1,8 ... 2,2 mm
Assured operating distance	$S_a$	0 ... 1,6 mm
Switching element function		DC, N.C.
Repeat accuracy	R	≤ 5 %
Differential travel (hysteresis)	H	≈ 10 %
Operational voltage range	$U_B$	10 - 30 V DC
Rated insulation voltage	$U_i$	75 V DC
Rated impulse withstand voltage	$U_{imp}$	500 V
Voltage drop	$U_d$	< 3 V
Utilization category		DC 13
Rated operational current	$I_e$	200 mA
Minimum operating current	$I_m$	1 mA
Off-state current	$I_r$	< 0,1 mA
No-load supply current	$I_o$	< 11 mA
Switching element		Permanent overload and s.c.p.
Short-circuit protection		pulsed
Frequency of operating cycles	f	800 Hz
Mounting		flush
False polarity protection		yes
Time delay before availability	$t_v$	< 50 ms

<b>Mechanical Data</b>	
Enclosure	PA 6, red
Endcap	PA 6.6, black
Ambient air temperature	-25 °C ... +70 °C
Type of protection	IP67
Degree of pollution	3 (pollution of the active region, there can may be a deterioration of the operating distance)
Termination type	Cable 3 x 0,14 mm <sup>2</sup> , PVC - Outer jacket, black;
For attachment	2 x hexagon nut, 2 x rubber washer

<b>Product reliability (in acc. with DIN EN 61709 (SN 29500))</b>	
MTTF (at 40 °C)	> 850 years

<b>EU Conformity</b>	
	acc. to directive 2014/30/EU (EMC-Directive)