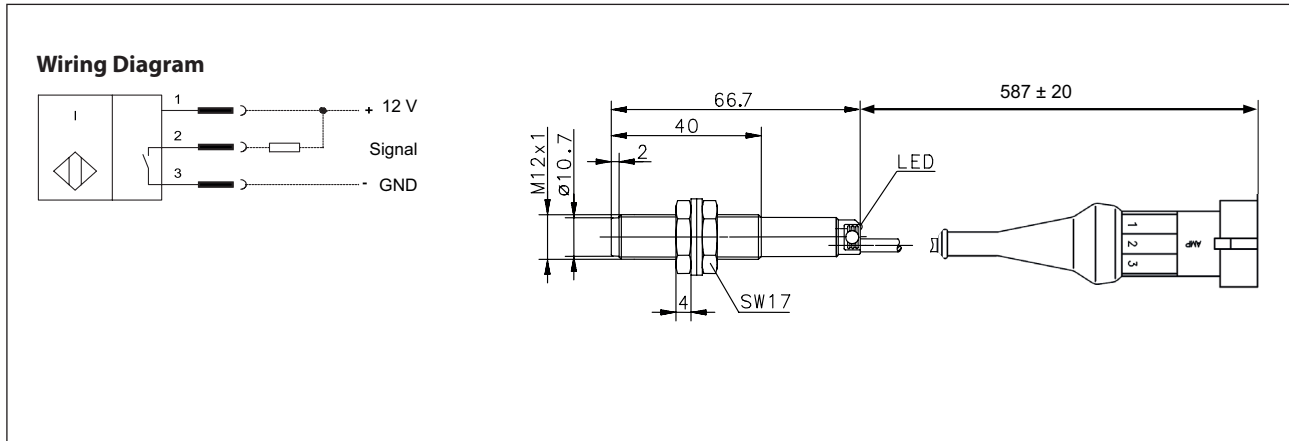


Inductive Proximity Switch Series M12

Description **KIN-T12NS/004-KL0,5S**

Article number **6502319002**



Identifying characteristics in accordance with EN 60947-5-2

Electrical data		
Rated operating distance	S_n	4 mm
Standard target		12 x 12 mm, t=1 mm; material: FE360
Assured operating distance	S_a	0 ... 3,2 mm
Switching element function		DC, N.O.
Repeat accuracy	R	≤ 5 %
Differential travel (hysteresis)	H	≈ 10 %
Rated operational voltage	U_e	12 – 24 V DC
Operational voltage range	U_B	10 - 36 V DC
Rated insulation voltage	U_i	75 V DC
Rated impulse withstand voltage	U_{imp}	500 V
Voltage drop	U_d	≤ 1,5 V (add. 0,06 V per m cable and 200 mA Load at 20 °C)
Utilization category		DC 13
Rated operational current	I_e	200 mA
Off-state current	I_r	< 0,1 mA
No-load supply current	I_o	≤ 11 mA
Switching element		Permanent overload and s.c.p.
Short-circuit protection		pulsed
Frequency of operating cycles	f	400 Hz
Mounting		non flush
False polarity protection		yes
Time delay before availability	t_v	≤ 50 ms

Mechanical Data	
Front cap	PA 6, red
Enclosure	PA 6, red
End cap	PA 6.6, black
Ambient air temperature	-25 °C ... +70 °C
Type of protection	IP67
Pollution degree	3 (Pollution of the active zone can cause impairments of the operating distances.)
Indication	LED, yellow
Termination type	Cable 3 x 0,34 mm ² x 0,5 m, PVC-Outer jacket, black with AMP Superseal-connector and dust protective cap
For attachment	2 x hexagon nut PA and 2 x washer, NBR
EU Conformity	
acc. to directive 2014/30/EU (EMC-Directive)	