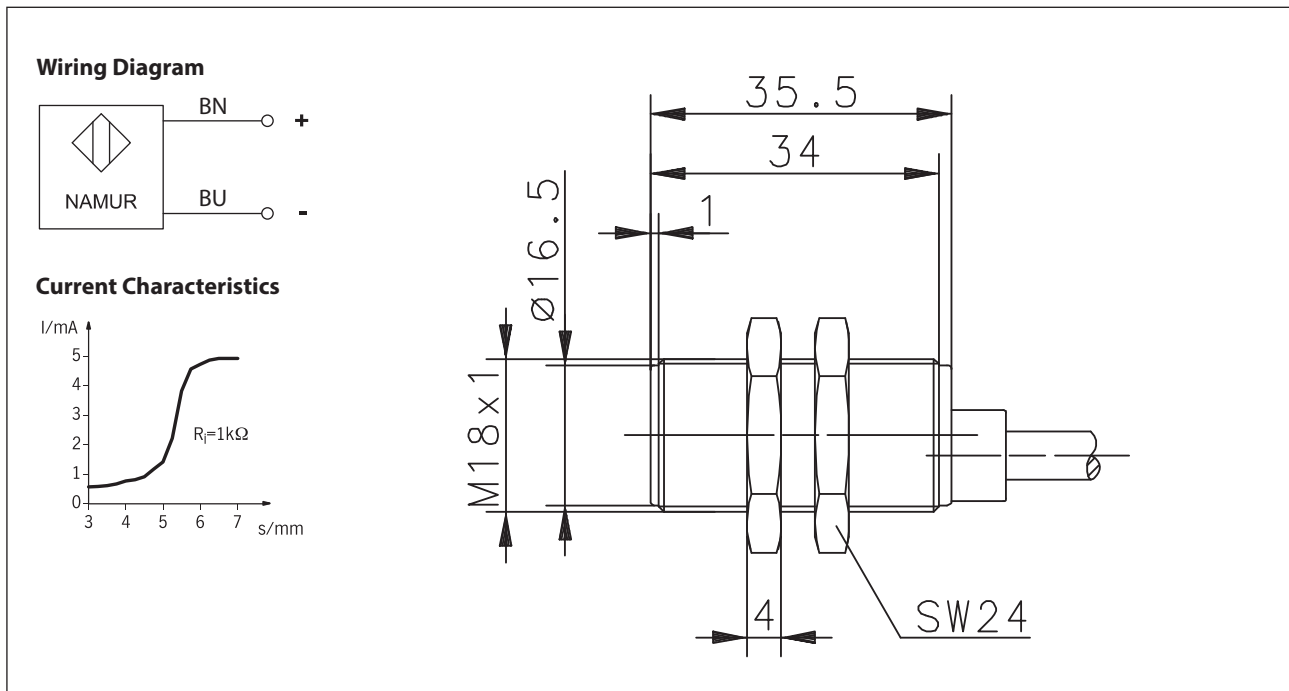


Inductive Proximity Switch - Namur Series M18

Description **KIB-M18EA/005-5**

Article number **6501626001**



Identifying characteristics in accordance with EN 60947-5-6

Electrical data	
Mounting	flush
Rated operating distance	S_n 5 mm (switching point 1,5 mA @ $U_n = 8$ V and $R_i = 1$ k Ω)
Standard target	18 mm x 18 mm, t = 1 mm, material: FE360
Repeat accuracy	R < 5 %
Rated voltage	U_n DC 8 V
Rated operational voltage	U_e DC 5 ... 25 V
Ripple	≤ 5 %
Current consumption	> 4 mA ($U_n = 8$ V and $R_i = 1$ k Ω) sensing face free < 1 mA ($U_n = 8$ V and $R_i = 1$ k Ω) sensing face damping
Frequency of operating cycles	f ≤ 400 Hz
Self-inductance	C_i 60 μ H
Self-capacitance	L_i 55 nF
Vibratory stresses	10-55 Hz, a=1 mm
Shock resistance	30 g, t_{stoss} =11 ms

Mechanical Data	
Front cap	PA 6.6, blue
Enclosure	Brass, nickel plated
End cap	PA 12, blue
Ambient air temperature	-25 °C ... +70 °C
Type of protection	IP67
Termination type	Cable 2 x 0,5 mm ² x 5 m, PVC-Outer jacket, blue
For attachment	2 x hexagon nut, brass, nickel plated (tightening torque ≤ 25 Nm)

EU Conformity	
acc. to directive 2014/30/EU	