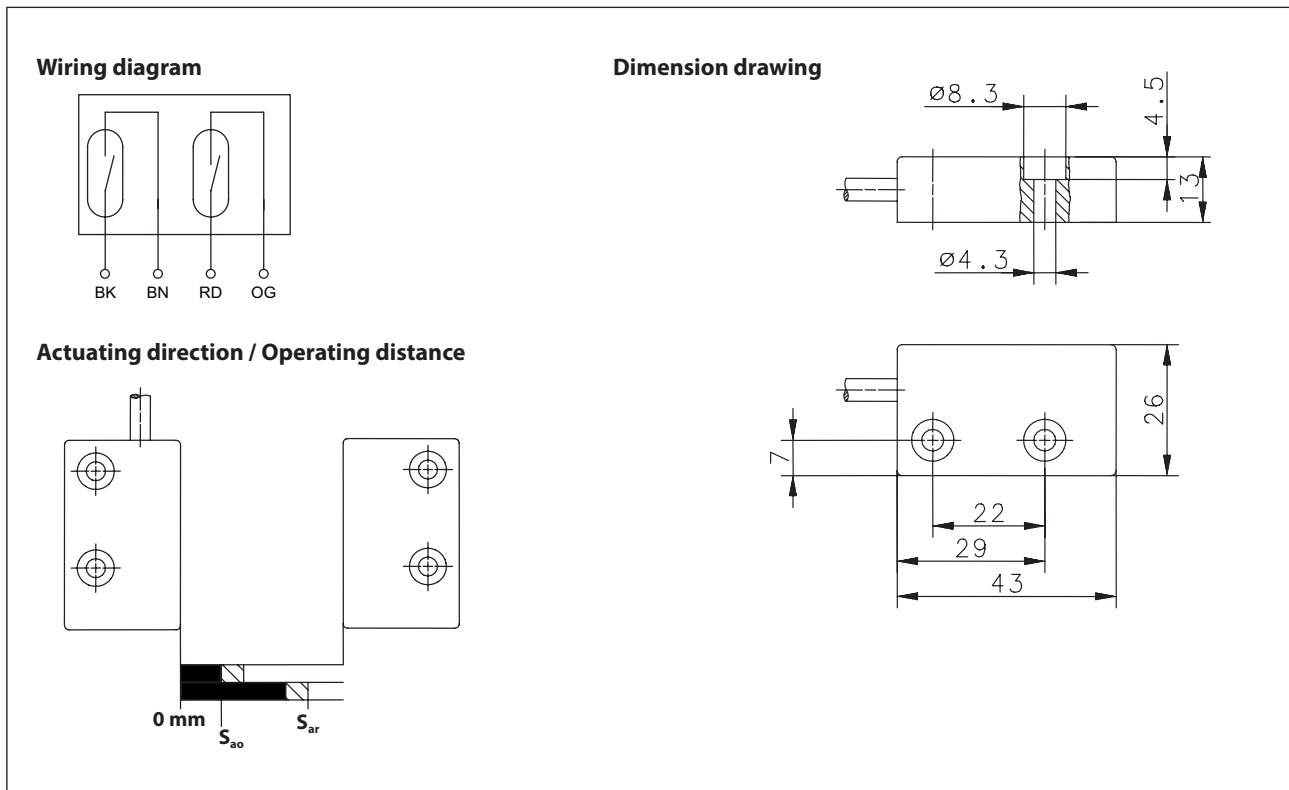


Coded Magnetic Switch Series MAK-52

Description **MAK-5236-CD-3**

Article number **6490652356**



Technical data

Switching function	2x N.O.	
Reference magnet	TK-52-CD/2 (6402052067)	TK-52-CD/2 SN8 (6402052075)
Assured operating distance - ON	$S_{ao} \geq 3 \text{ mm}$	$\geq 8 \text{ mm}$
Assured operating distance - OFF	$S_{ar} \leq 16 \text{ mm}$	$\leq 20 \text{ mm}$
Repeat accuracy	R	$\pm 0,1 \text{ mm}$, under same geometrical conditions at the same temperature
Utilization category	DC-12	
Frequency of operating cycles	f	1 Hz

Electrical data


Max. voltage	30 V DC
Max. switching current	0,08 A
Max. switching capacity	0,25 W
Protection class acc. to EN IEC 61558	III (safety extra-low voltage)
Note	Combinations of switching voltage and switching current must not exceed the maximum switching capacity.

Mechanical data	
Enclosure	PBT, black; encapsulated reed contact
Tightening torque of fastening screws	1,25 Nm ± 0,25 Nm
Temperature range	- 10 °C ... + 105 °C (cable not fixed mounted) - 30 °C ... + 105 °C (cable fixed mounted)
Mechanical life	3 x 10 ⁸ operating cycles
Vibration	10 G (10 - 1200 Hz)
Shock	10 G (11 ms, ½ Sinewave)
Protection type	IP 67 acc. to EN 60529
Pollution degree	3 acc. to EN 60947-1
Termination type	Cable 4 x AWG26 x 3 m ± 5 %; PVC - Outer jacket, black
Assembly position	optional (assembly on ferromagnetic material means reduction of switch distance)

ID for safety engineering	
B10d	20 x 10 ⁶ cycles (20 % load) 0,4 x 10 ⁶ cycles (nominal load)
Mission time	20 years

Standards	
	DIN EN ISO 13849-1
	EN 60947-5-3
Note	The EN 60947-5-3 standard is only fulfilled by a complete system that consists of a coded magnetic switch with related actuator and suitable safety controller.

EG Conformity	
	acc. to directive 2006/42/EC (Safety-of-Machinery-Directive)

Approvals	
	
	UL Listed, Ind. Cont. Eq. / Class 2 Power source

Notes	
	Contact protection must be provided for inductive and capacitive loads.