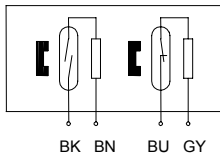


Series MA-42

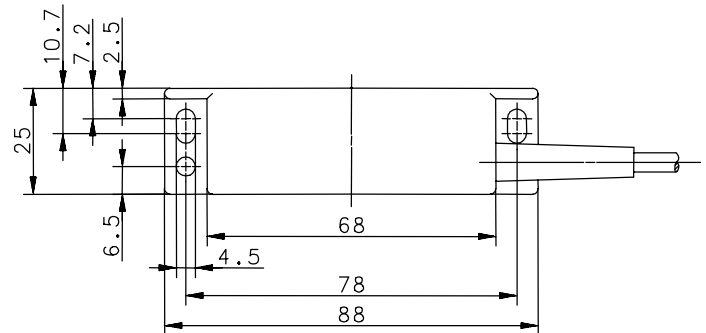
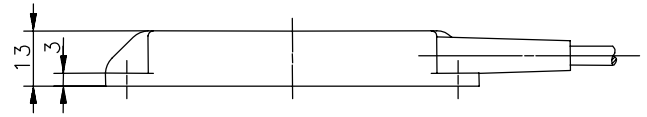
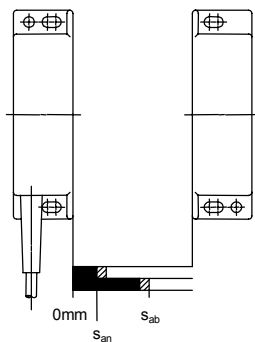
Type designation **MAK-4236-10**

Item number **6490642009**

Wiring diagram



Actuation / operating distance



Electrical data

Operating distance	S _{an}	≥ 5mm
	S _{ab}	≤ 14mm
Reference magnet		TK-42-CD
Actuation		Coded magnetic system of type Tx-42-CD-xx preferred: 640.2042.022 (TK-42-CD)
Output		N.O., N.C. combined
Max. voltage		30V DC
Mechanical lifetime		3 x 10 ⁸ switchings, however, according to the load resetability
Repeat accuracy	R	± 0,1mm (under same geometrical conditions at the same temperature)

Mechanical data

Housing	PA 6.6, black
Ambient air temperature	-5°C ... +70°C
Type of protection	IP 67 according to IEC 529, EN 60529
Connection	Cable 4 x 0,25mm ² x 10m; PVC - Outer jacket, black
Assembly position	optional

Bemerkungen

Application: Monitoring system of type **MÜZ-x02/xxx**

These coded magnetic systems offer manipulation-safe locking and can not be actuated with simple tools like depolarised magnets.

This document will not become the contractual basis; the details included herein do not constitute any descriptions of expected conditions, so that warranties/claims for defects on account of possible variations of the actual from the here described condition are excluded. Subject to modifications and amendments.

Date of issue: 28.09.2004 / Page 1 of 1
Document: 6490642009_en / Last update: 1 / 0506-04