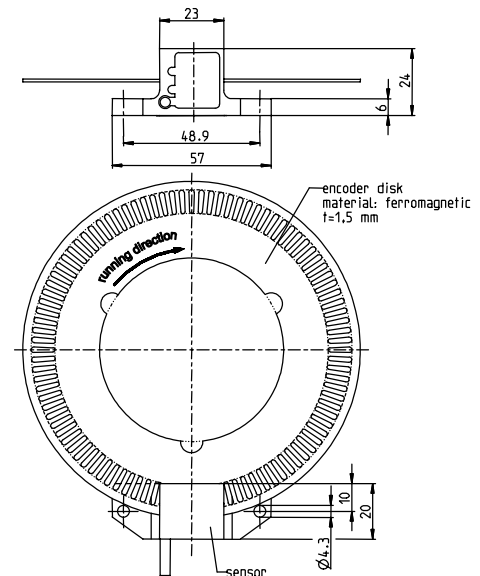
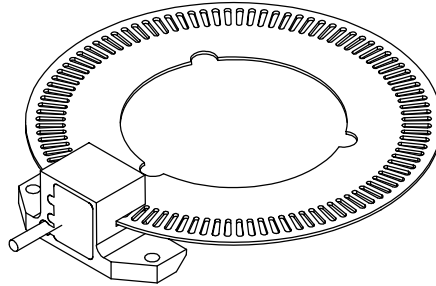
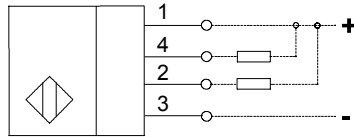


Series MA-99

Type designation **MEK-99MN0-00.0-0,1S/KL**

Item number **6479099050**

Wiring Diagram



Characteristic features in accordance with EN 60947-5-2

Electrical data

Operational air gap	S	1,5 mm
Switching function		NPN transistor, open collector
		output 1 (PIN 4) = 0° phasing
		output 2 (PIN 2) = -90° phasing
		(± 20% by specified rotating direction)
Duty cycle		50% (dependent on encoder disk)
Operational voltage range	U _B	9-15 VDC
Rotational direction		Interpretation of phase by control system
No-load supply current	I _o	< 50 mA
Output current		≤ 20 mA per output
Switching element		Hall
Short-circuit protection		PTC
Frequency of operating cycles	f	20 kHz
False polarity protection		yes
Time delay before availability	t _v	≤ 1ms

Electromagnetic compatibility (EMC) / Environmental Tests

Electromagnetic field test	IEC 61000-4-3
Electrostatic discharge test	IEC 61000-4-2
Electrical fast transient immunity test (Burst)	IEC 61000-4-4
Radiated disturbance field strength	EN 55011

Mechanical data

Enclosure	POM black
Operating temperature	-10°C to +80°C
Type of protection	IP67 acc. to IEC 529, EN 60529
	(only in fully locked position with it's plugs)
Indication	2 x LED red
Termination type	Cable 4 x 0,14 mm ² x 0,1 m; PUR-outer jacket, black with M8-plug socket
Accessories	Female connector with 6,5 m cable 4 x 0,14 mm ² ; PUR-outer jacket, black; Bernstein item number: 4139100837

EU Conformity



This document will not become the contractual basis; the details included herein do not constitute any descriptions of expected conditions, so that warranties/claims for defects on account of possible variations of the actual from the here described condition are excluded. Subject to modifications and amendments.

Date of issue: 19.10.2005 / Page 1 of 1
Document: 6479099050_en / Last update: 1 / 0673-05