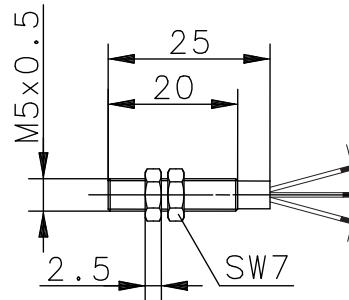
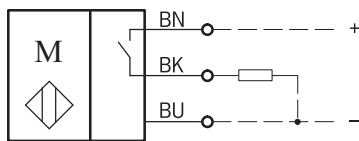


Magnetic Sensor Series M05

Description **MEM-M05PS/M03-K1,2T**

Article number **6473299172**

Wiring diagram



Identifying characteristics in accordance with EN 60947-5-2

Electrical data	
Magnetic sensitivity	3,0 mT
Switching function	PNP, open collector, N.O.
Operational voltage range	U_b 8-30 V DC
Switching current	150 mA
Supply current	< 5 mA
Voltage drop	U_d ≤ 2 V
Switching element	GMR, typ. 3 mT
Short-circuit protection	yes
Assembly position	optional
False polarity protection	yes

Electromagnetic compatibility (EMC)	
Electromagnetic field test	IEC 61000-4-3
Electrostatic discharge test	IEC 61000-4-2
Electrical fast transient immunity test (Burst)	IEC 61000-4-4
Radiated disturbance field strength	EN 55011

Mechanical data	
Enclosure	CuZn39Pb3
Front cap	LCP, black
Ambient air temperature	-40 °C ... +90 °C
Type of protection	IP 67 acc. to EN 60529
Termination type	litz wire 3 x AWG 22 x 1,2 m, Spec 55, ETFE
For attachment	2 x hexagon nut, brass, tightening torque 1,5 Nm

Product reliability (in acc. with DIN EN 61709 (SN 29500))	
MTTF	> 2950 years

EU Conformity	
	acc. to directive 2014/30/EU