

Technical Data

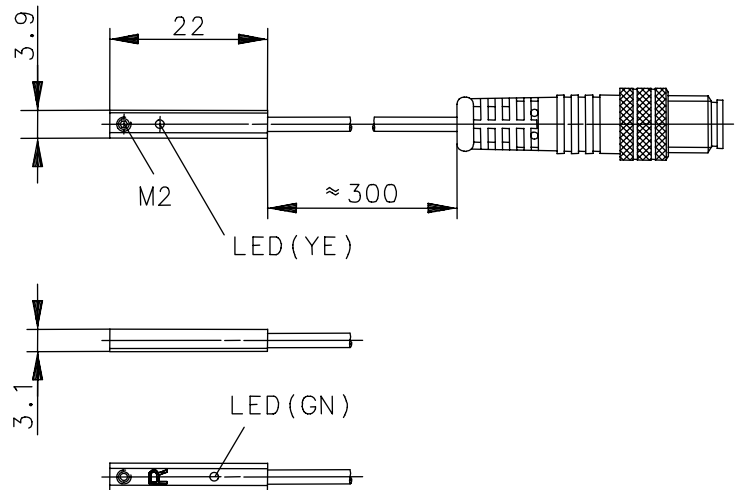
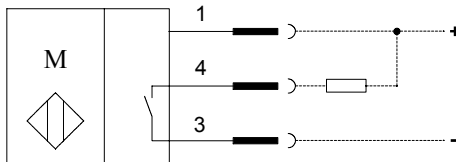
Magnetic proximity sensor

Series MA-81

Type **MMS22-SNM8**

Ident.-No. **0301451**

Wiring Diagram



Magnetic characteristics

			min.	typ.	max.
Operate point	[mT]	B _{OPS}	-2,65	-3,0	-4,5
Release point	[mT]	B _{RPS}	-0,5	-2,2	-
Hysteresis	[mT]	B _{HYS}	-	0,8	-

Operating Data

Operational voltage range	U _B	10 ... 30V DC; supply reversal protection
Non-load supply current		< 20mA
Voltage drop	U _d	< 2V

Output Data

Output voltage max.	Supply voltage
Rated operational current	200mA
Output function	NPN, N.O.; 3-wire; actuated by south pole

Operating and Ambient Conditions

Ambient air temperature	-25° ... +80°C (cable in fixed installation)
Protection type	IP 67 acc. to IEC 529, EN 60529 (only in fully locked position with it's plugs)
Enclosure	PA, black
Connection	Cable 0,3m, PUR-outer jacket, black / plug socket M8
Indication	LED yellow, output indication / switched position LED green, output indication / switched position

Remarks

Internal - Type	MEK-81SN2-04.2-0,3S/KL
Internal - Number	6472681064

This document will not become the contractual basis; the details included herein do not constitute any descriptions of expected conditions, so that warranties/claims for defects on account of possible variations of the actual from the here described condition are excluded. Subject to modifications and amendments.

Date of issue: 09.11.2006 / Page 1 of 1
Document: 6472681064_en.doc / Last update: 1 / 0733-06